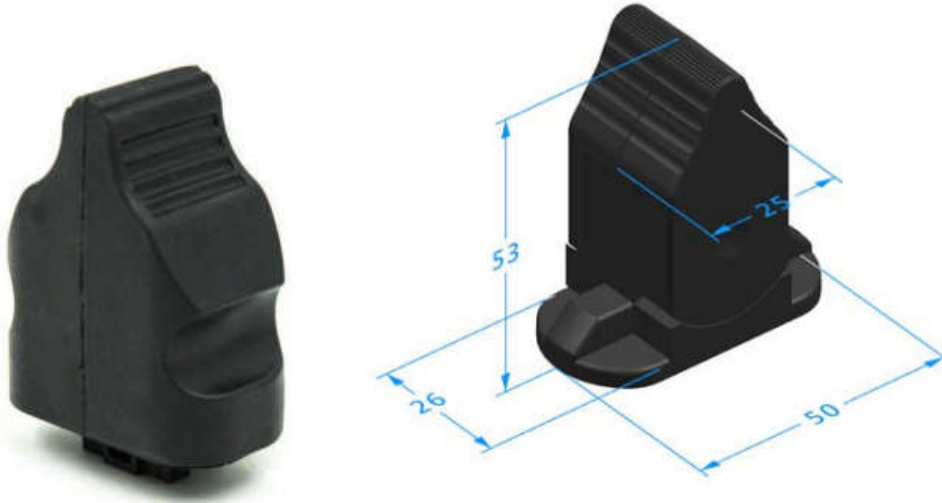


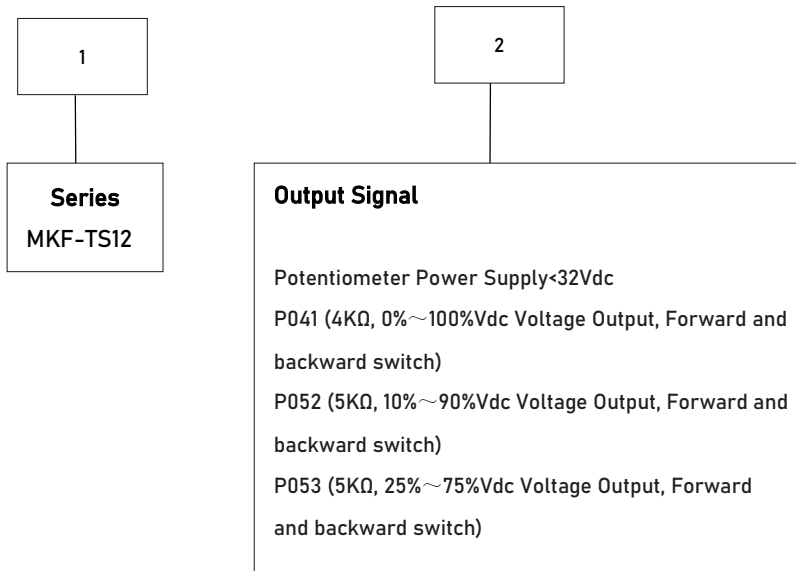
## MKF-TS12

Mate Thumb Joystick, Single-axis, Potentiometer



### DESCRIPTION

MKF-TS12 is a professional Single-axis finger operated joystick, typical application on remote control unit, off-highway vehicle and industrial panel control.



## Technical Information

### Electrical data

Power Supply	
Power supply	<32Vdc
Total resistance	4K $\Omega$ or 5K $\Omega$
Resistance tolerance	<20%
Electrical angle Center	$\pm 28^\circ$
tap angle	$\pm 2.5^\circ$
Dissipation(max)	0.25W (25°C, no-load)
Center tap output voltage	48%~52% ( $\pm 2\%$ )
Directional switch	
Power supply	<35Vdc
Maximum current	2mA

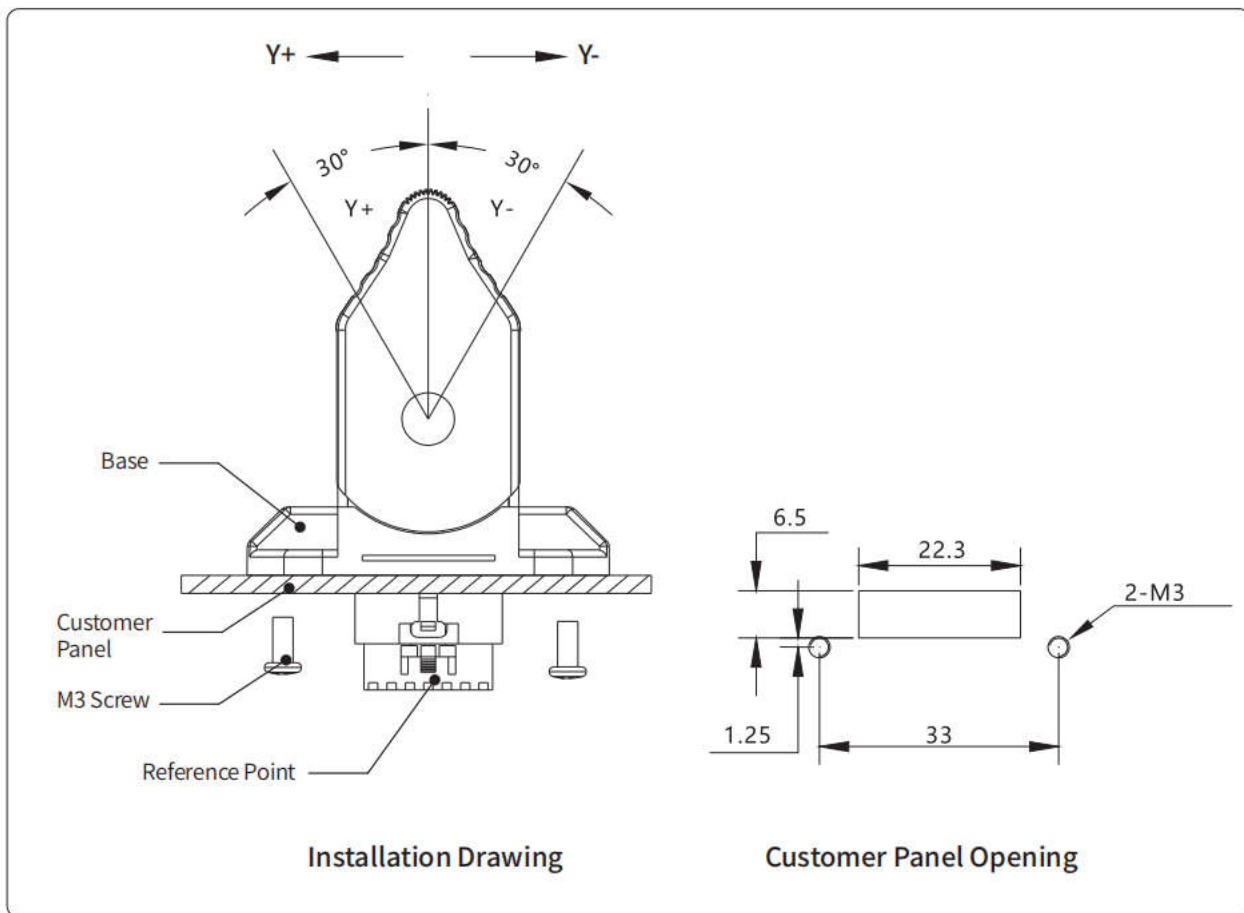
### Mechanical features

Travel angle	about $\pm 30^\circ$
Operating type	Spring return
Breakout force	1.3N
Operating force(max)	3N
Maximum allowable force	>50N
Expecting life	>2 million cycles (Potentiometer)
	>5 million cycles (Hall )
Weight	45g

### Environmental data

Operating Temperature	-30°C~+70°C
Storage Temperature	-40°C~+85° °C
Protection level	IP65 (Form above when mounted)

## Installation



## Electrical Connections

**Connection List**  
(FCI DUBOX™ 7Pin Connection plug 76382-307 )

Pin	Potentiometer	Color
A	Center tap	Red
B	VCC	Blue
C	Wiper output signal	Black
D	GND	White
E	Switch terminal (X+)	Yellow
F	Switch terminal (X-)	Green
G	COM	Gray

