

MKF-TS07

Mate Thumb Joystick, Single-axis, Hall effect



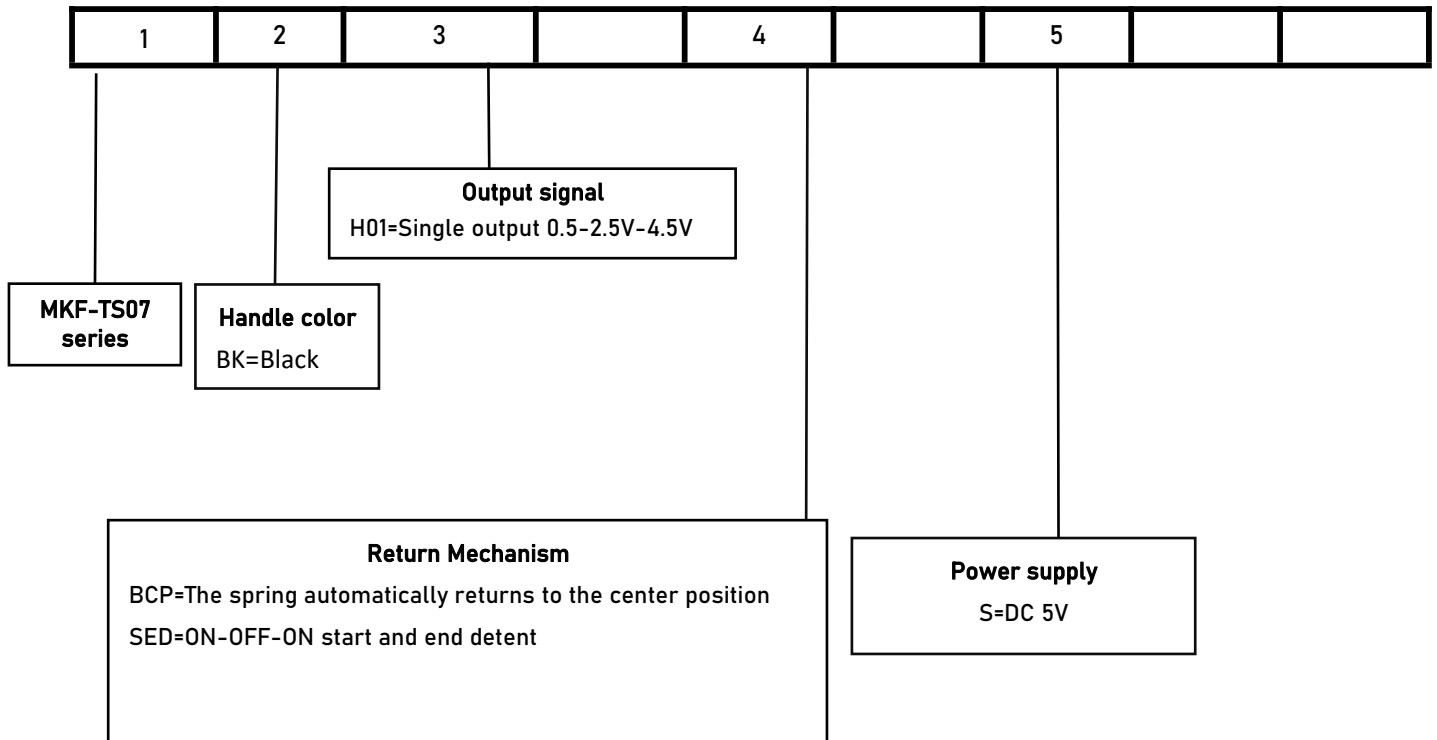
DESCRIPTION

MKF-TS07 is a professional industrial thumb wheel used in TV camera, CCTV, industrial robot, medical equipment, optical instrument, heavy-duty and safety-critical applications. Rugged, reliable for long life span usage. With Hall sensor, Single axis, 0.5-4.5V@DV5V signal output.

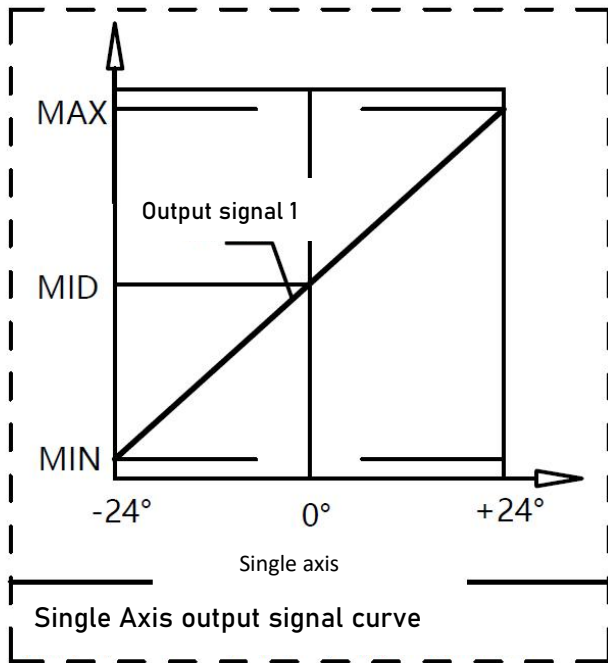
SPECIFICATION

Button	0
Operation Angle	$\pm 24^\circ$
Power Supply	$+5V \pm 0.02V_{dc}$
Outputs	0.5-2.5-4.5V
Life Span	5 million operating cycles
Positioning	Spring automatically returns to the neutral position ON-OFF-ON 3 positioning detented
Operation Temperature	-40°C to +70°C

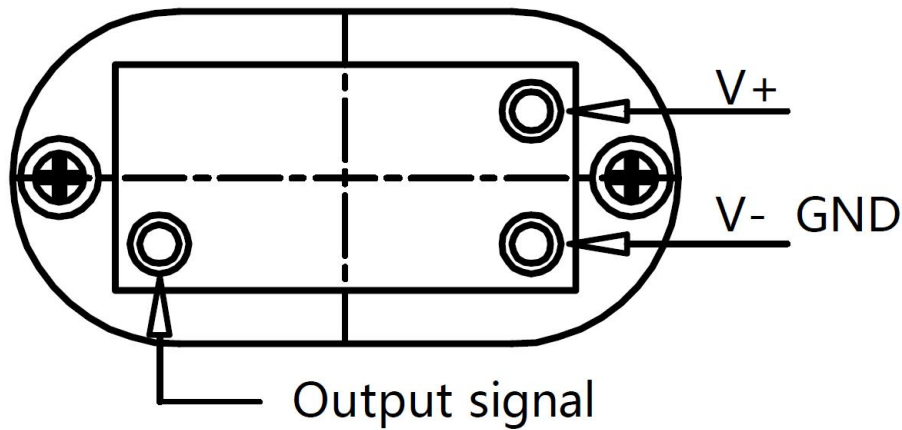
PRODUCT CONFIGURATION



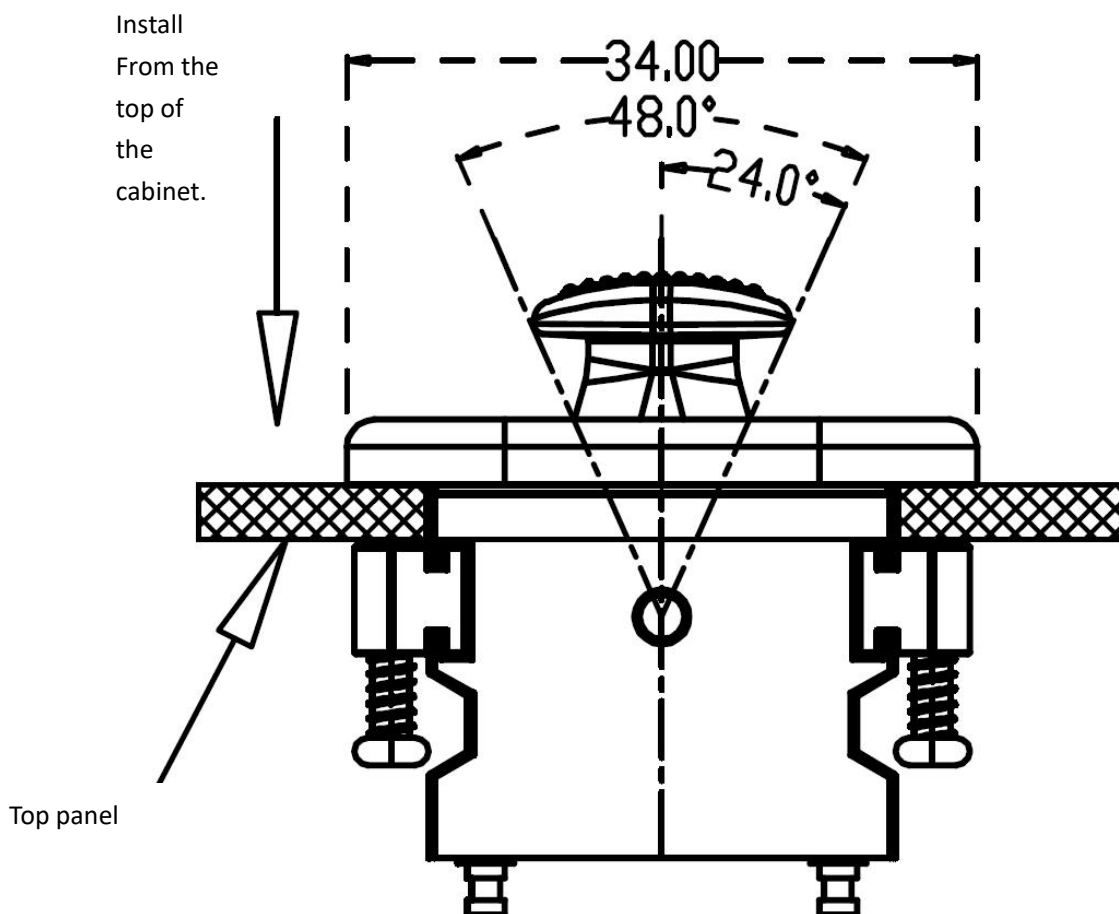
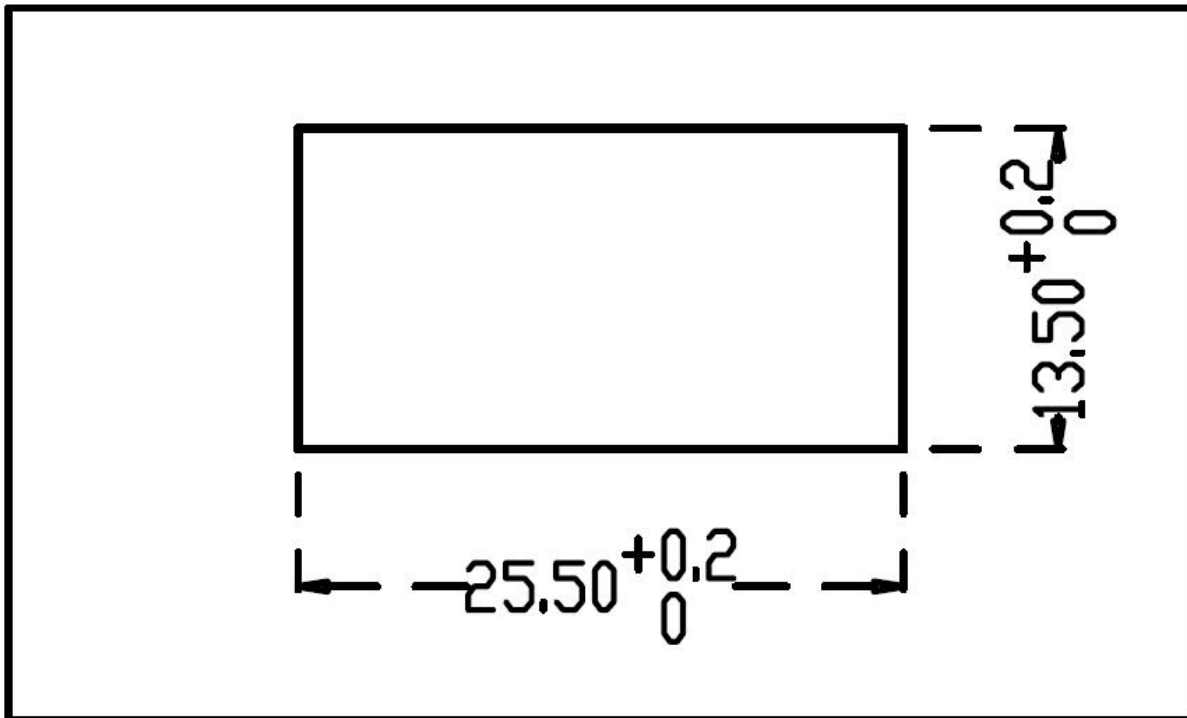
TECHNICAL DRAWINGS



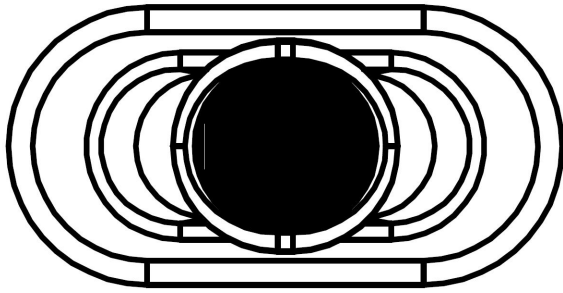
PIN OUT



PANEL CUT OUT DRAWING



TECHNICAL DRAWING



Output scale direction

