

MKF-JS99

Mate Industrial Joystick, Hall effect, One/Two/Three axis, Panel Mounted



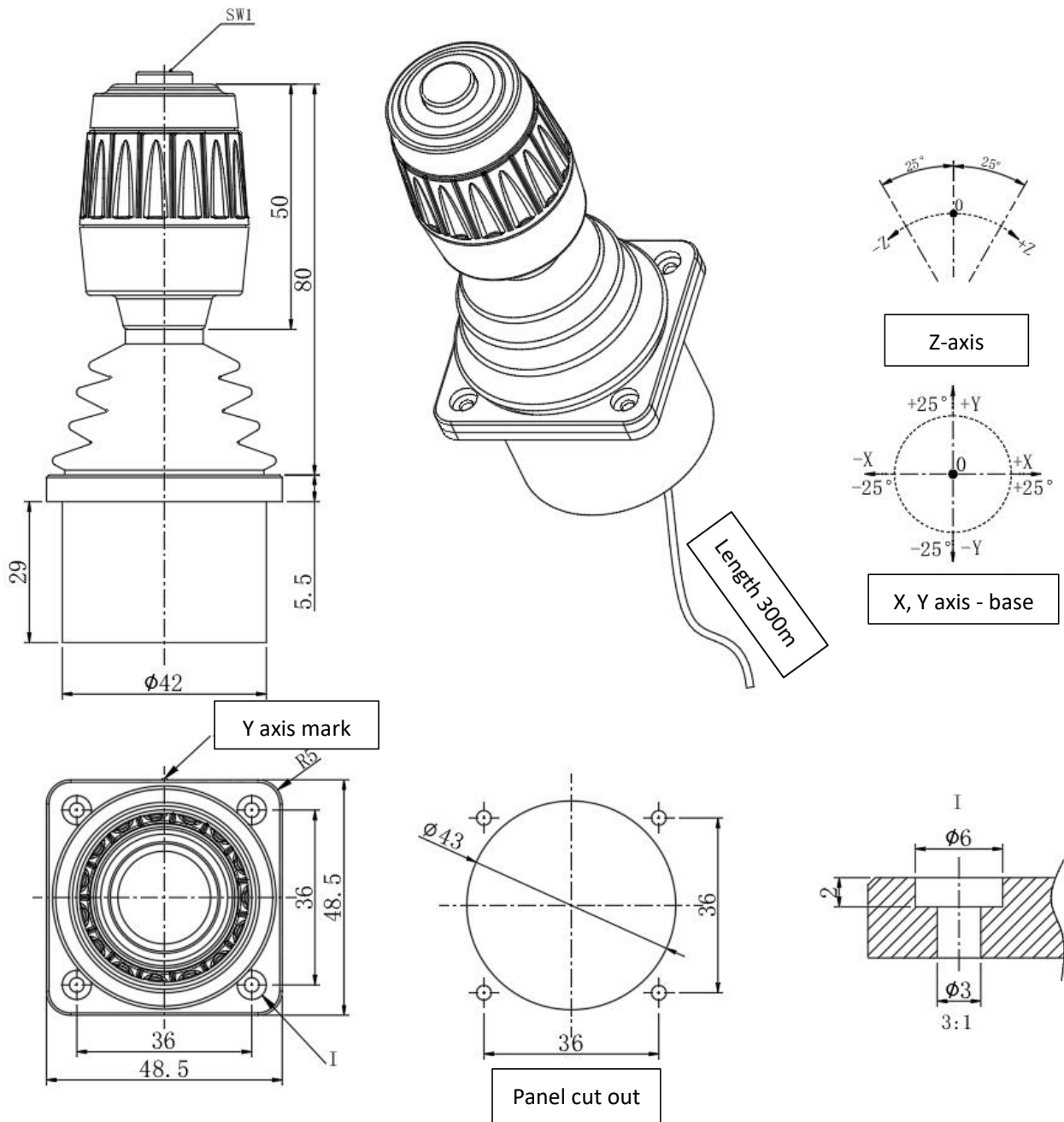
DESCRIPTION

MKF-JS99 Hall effect, panel mounted joystick, robust design with main materials - engineering plastics, stainless steel. One/two/three-axis for optional, Z-axis twisted. With spring automatic return or friction hold option. High-precision Hall sensor, linear correction in the whole temperature range. Smooth operating experiences. Ergonomic mechanical design. With 1 momentary button sits on the top. Multiple outputs can be selected (CAN, RS232, Analog, USB, RS485 etc). Suitable for robots, unmanned aerial vehicles, medical equipment, aerospace, ships, hydraulic motion control, radio and television, video surveillance equipment, etc.

SPECIFICATION

Material	stainless steel + engineering plastic
Protection	IP65 above the part above the panel
Positioning	spring returns, friction hold optional
Operating angle	X/Y: ± 25 degrees
Sensor	Hall sensor
Power supply	DC5V
Signal output	Analog voltage (0 ± 0.1) Vdc ~ (2.5 ± 0.1) Vdc ~ (5 ± 0.1) Vdc
Operating life	10 million times
Working temperature	$-40^{\circ}\text{C} \sim +70^{\circ}\text{C}$
Protection level	IP65 or above
Current	<100mA

TECHNICAL DRAWINGS



Wire	1	2	3	4	5	6	7	8
Color	Red	Black	Blue	Green	Yellow	/	Purple	Orange
Define	VCC	GND	Y OUT	X OUT	Z OUT	/	S1	S1