

MKF-JS91

Mate Industrial Joystick, Hall effect, 3-axis, Panel Mounted



产品特点 Product Features

- Based on ergonomic principles, modeling small and operation comfortable.
- Fingertip operation, Spring return.
- three-axis large operating angle in any direction.
- handle top with dual button at most.
- RS232 or USB connector output is selectable.

技术参数 Technical Information

Mechanical Features

Travel angle	about $\pm 28^\circ$ (XY axis) about $\pm 42^\circ$ (Z axis)
Operating type	Spring return
Break Out force	3N
Operating force (max)	8N
Maximum allowable force	> 300N
Expected life	> 2Million (XY axis) > 2Million (Z axis)
Weight	about 143.5g

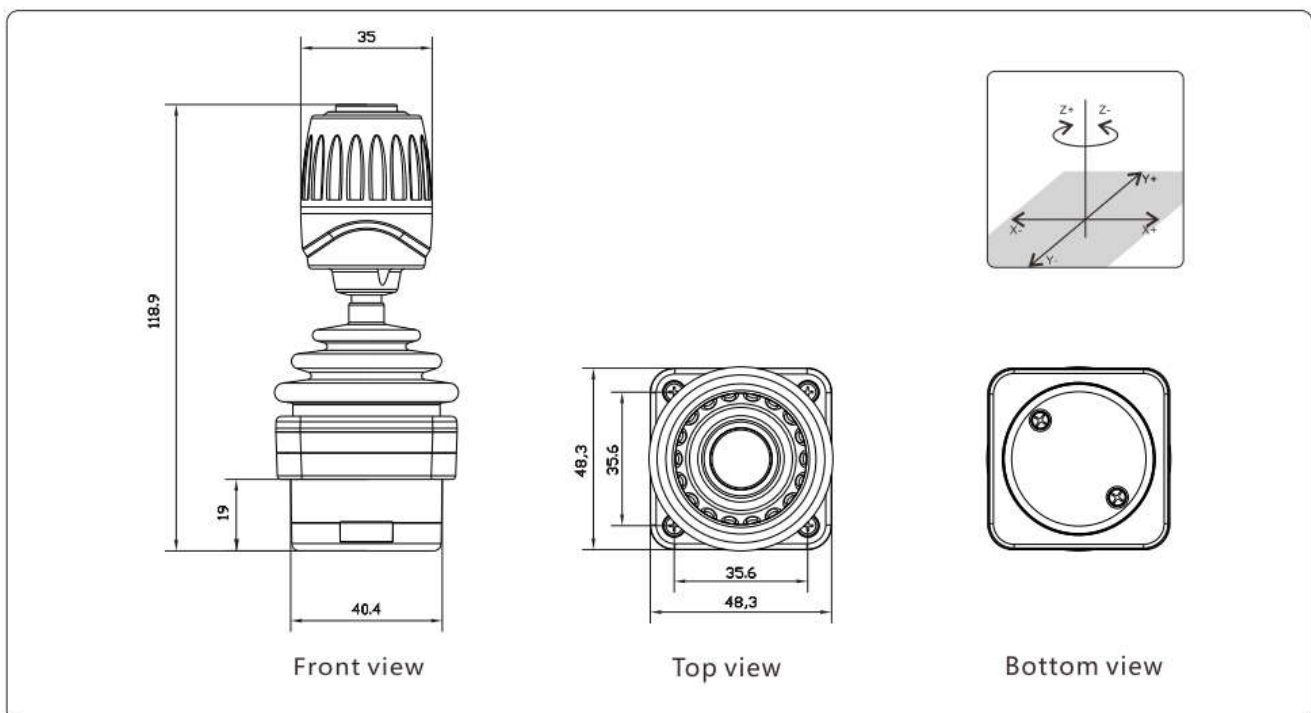
Environmental data

Operating temperature	-30°C ~ +70°C
Storage temperature	-40°C ~ +85°C
Protection level	IP65 (Above the flange)

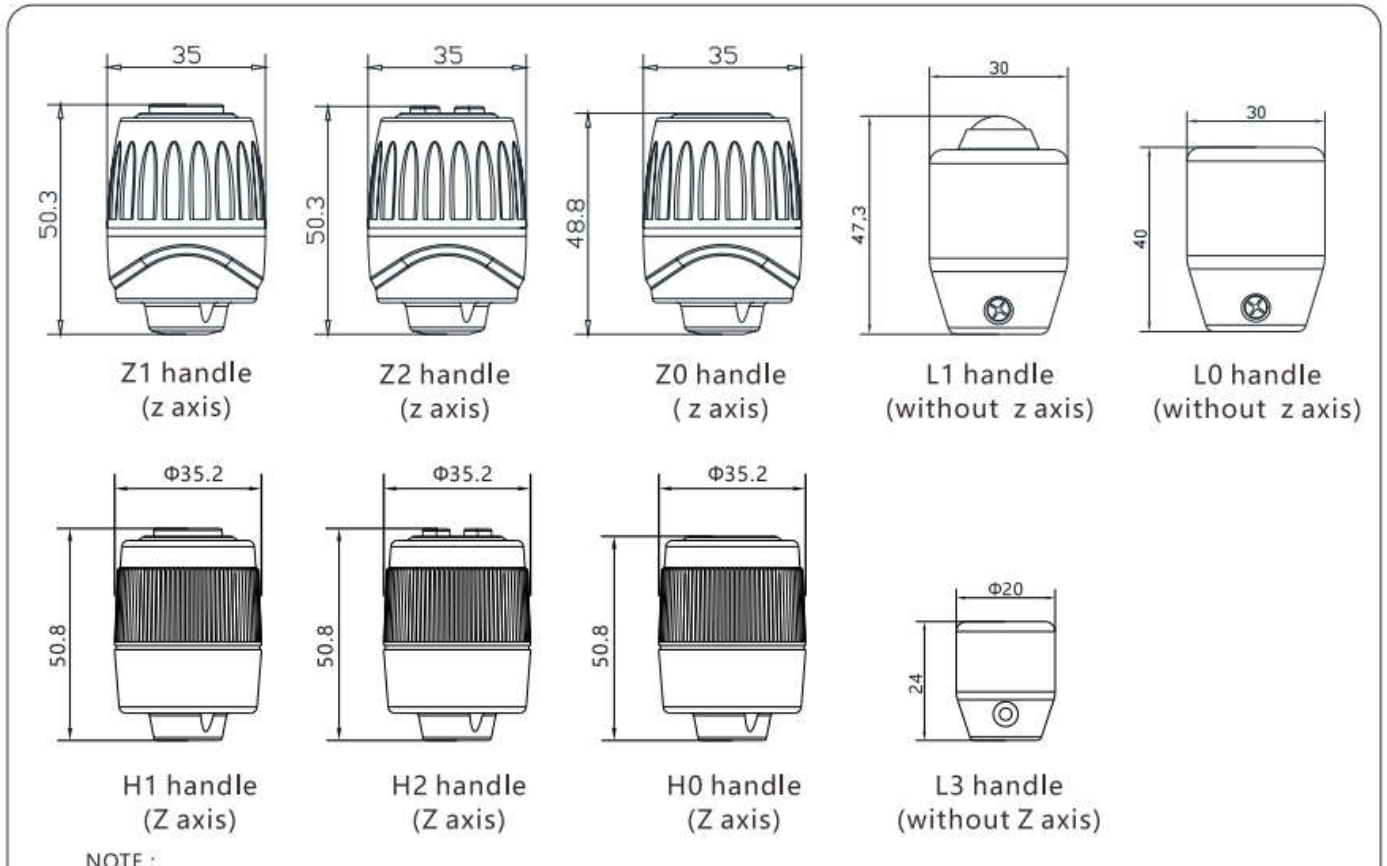
Electrical data

Power supply	5±0.5Vdc (standard voltage) 9~36Vdc (wide voltage)
Maximum supply current	22mA (XY axis) 33mA (Z axis)
Maximum allowable overload voltage	20Vdc
Reverse maximum allowable voltage	-10Vdc
load resistance	10KΩ
Center output voltage	2.5±0.1Vdc
Output linearity tolerance	<±0.2V

外形尺寸 Dimensions

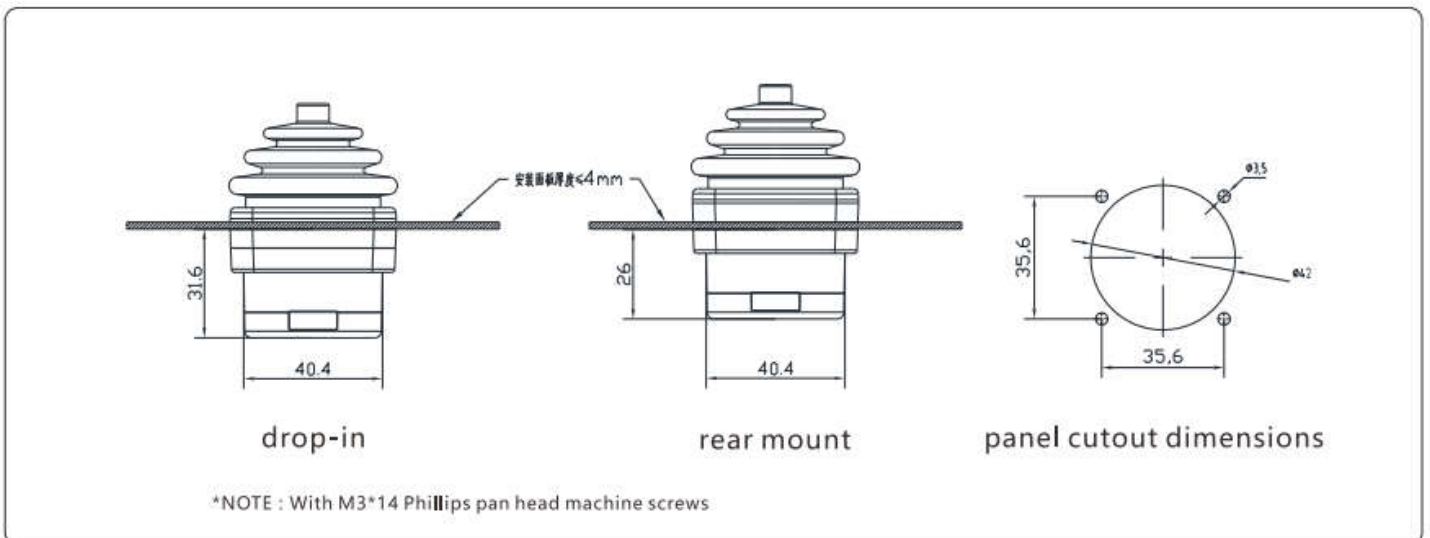


手柄上端 Handle



NOTE :

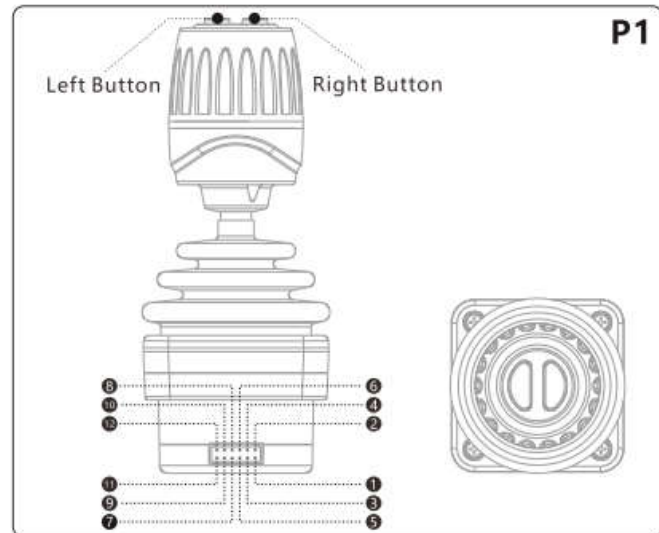
机械安装 Product Installation



电气安装 Electrical Connections

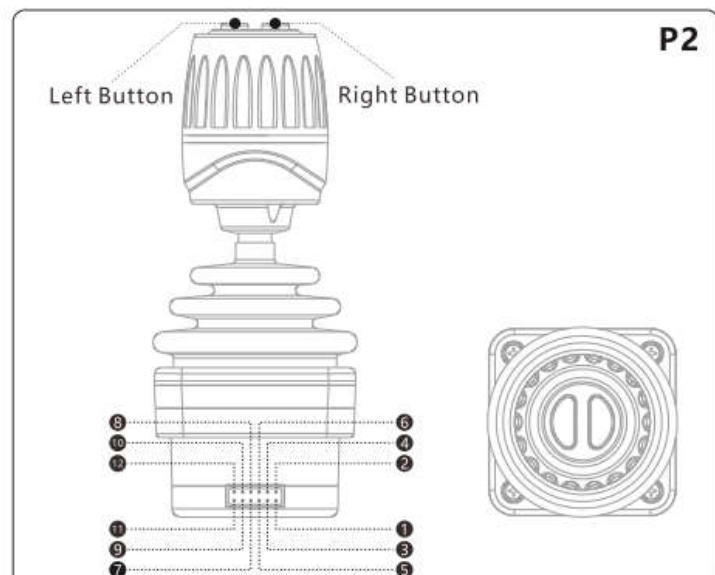
output harness type 1 (default)

8-Pin Connector		
Pin	Hall	Colour
1	GND	black
2	DC5V	red
3	X out	yellow
5	Y out	green
7	Z out	blue
9	Left button	Brown
10	Button com	White
11	Right button	Purple



output harness type 2 (without line)

12-pin connector		
Pin	Hall	Colour
1	GND	black
2	NA	NA
3	AY out	yellow
4	AX out	yellow/white
5	BY out	Green
6	BX out	Green/white
7	AZ out	Blue
8	BZ out	Black/white
9	Left button	Brown
10	Button com	white
11	Right button	Purple
12	DC5V	Red



USB

USB

USB Male Type A Connector



P3

RS232 (with RS232 output PCB)

8-Pin Connector

Pin	Hall	Colour
1	GND	black
2	VCC	red
3	X out	yellow
5	Y out	green
7	Z out	blue
9	Left button	Brown
10	Button com	White
11	Right button	Purple

P4

