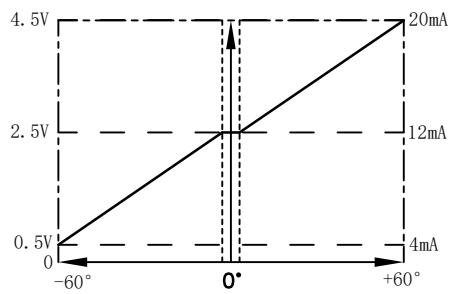
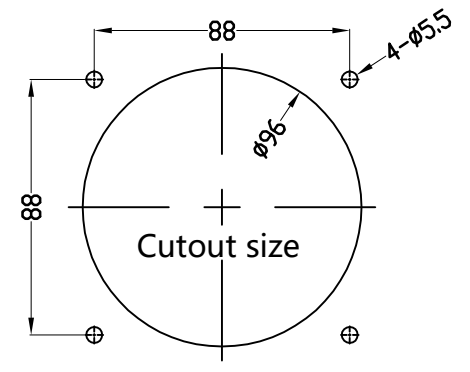
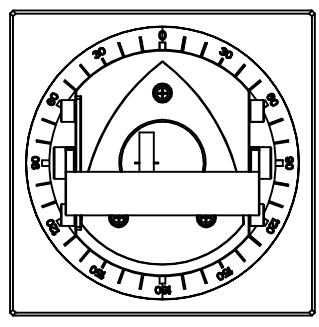
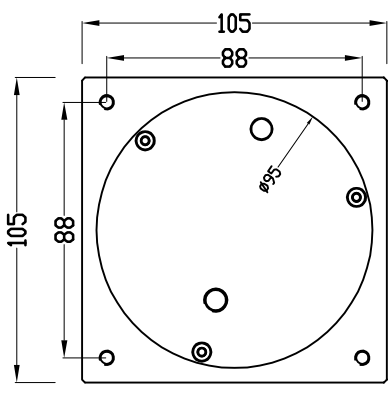
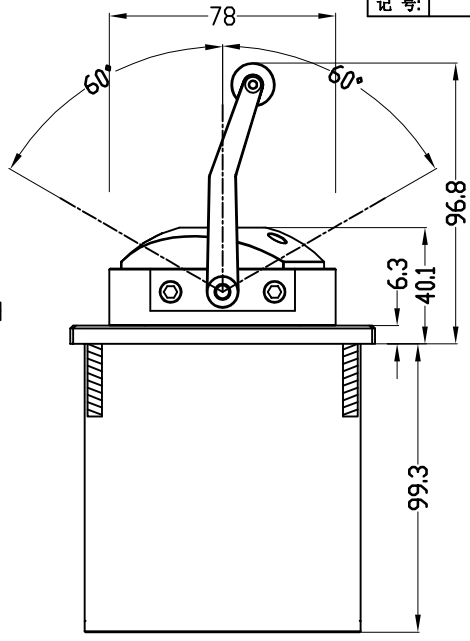
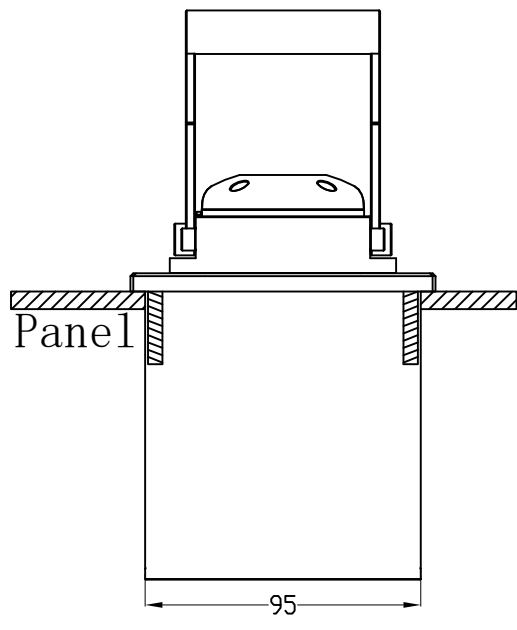
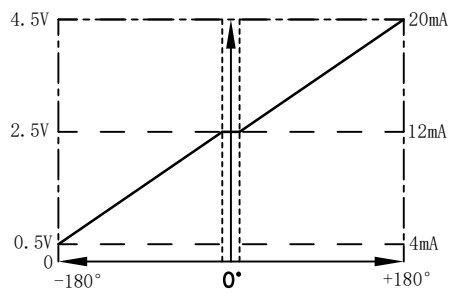


记号:	变更原因	签认	日期
-----	------	----	----

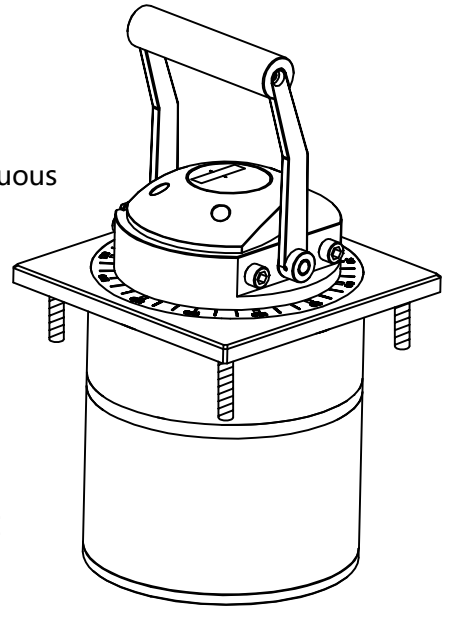


Vertical tiller curve diagram



Horizontal 360 degree full rotation curve

Technical parameters:
 Vertical operation angle: $\pm 60^\circ$
 Horizontal rotation angle: 360° continuous
 Sensor: Hall sensor
 Signal output: Analog voltage 0.5-4.5v
 Analog current 4-20mA
 Power supply: DC5V/DC24V optional
 Power consumption: less than 1W
 Backlight: Electronic surface emitting (green, white, and red)
 Friction force: adjustable
 Mechanical life: more than 5 million
 Working temperature: $-40^\circ\text{C} \sim +85^\circ\text{C}$
 Storage temperature: $-50^\circ\text{C} \sim +85^\circ\text{C}$
 Protection: IP67 above the panel



Model No.: MKF-JS71

- External cable definition
1. (Red) Power supply+
 2. (Black) Power Supply-
 3. (Yellow) Vertical signal output
 4. (Green) Horizontal signal output
 5. (Brown) Signal around

Mate Technology Shenzhen Limited					
www.matend.com					
绘图:	1	2	Scale	1:1	View:
设计:	1	2	阶段标记	Unit:	mm
审核:	1	2			
批准:	1	2			