

MKF-JS19

Mate Industrial Joystick, Hall effect, 3-axis, Panel Mounted



MKF-JS19-A

MKF-JS19-B

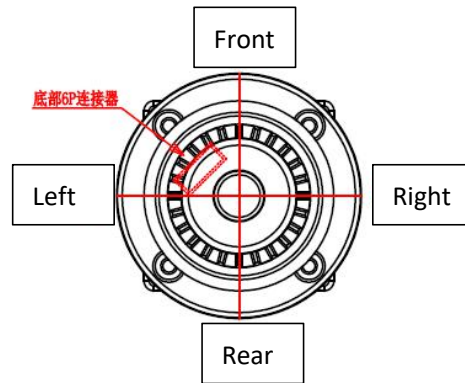
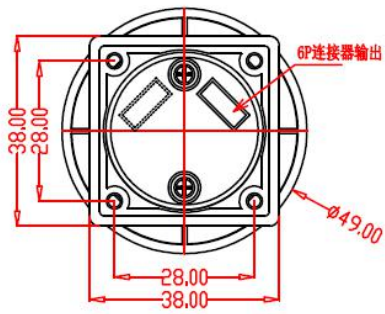
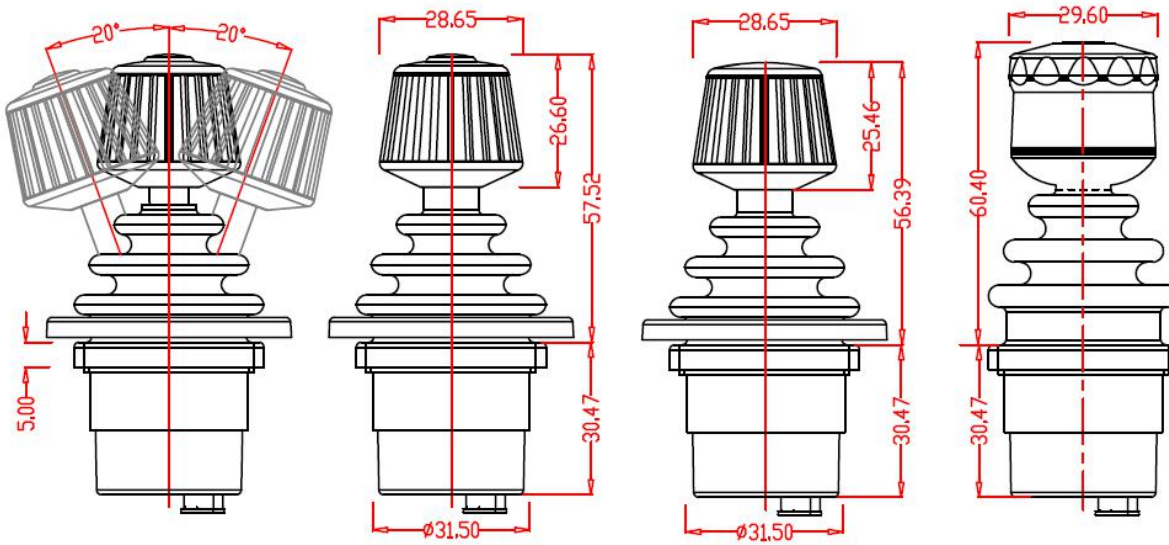
DESCRIPTION

MKF-JS19 series is a 3-axis joystick. A model is with one push button, and B model No button. with stainless steel and aluminum alloy materials for rugged and durable. Panel mounted, spring automatic return structure, German high-precision Hall sensor, full temperature range linear correction, IP65 or higher protection level, smoother operation feel, and ergonomic mechanical design.

SPECIFICATION

Button	0 or 1
Axis	3-axis
Positioning	Spring return to center automatically
Operation range	XY:±20 degrees, Z:±30 degrees
Power Supply	DC5V, DC12-24V
Signal Output	Analog voltage 0-5V,RS232,RS422,RS485,USB
Life Span	5 million cycles, Button: 1 million cycles
Material	Aluminium + Stainless steel
Degree of protection	IP65
Operation Temperature	-40°C to +70°C

TECHNICAL DRAWINGS



INSTALLATION DRAWINGS

