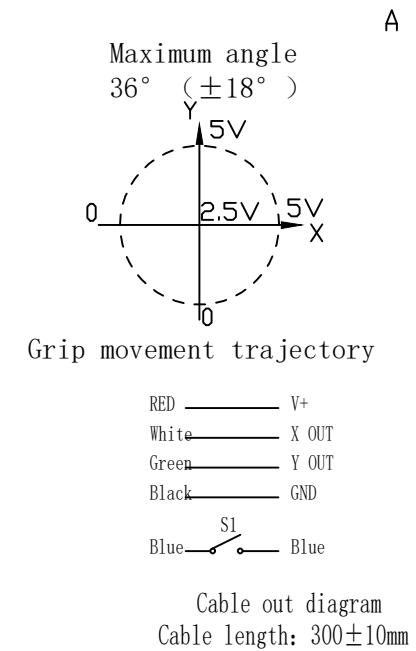
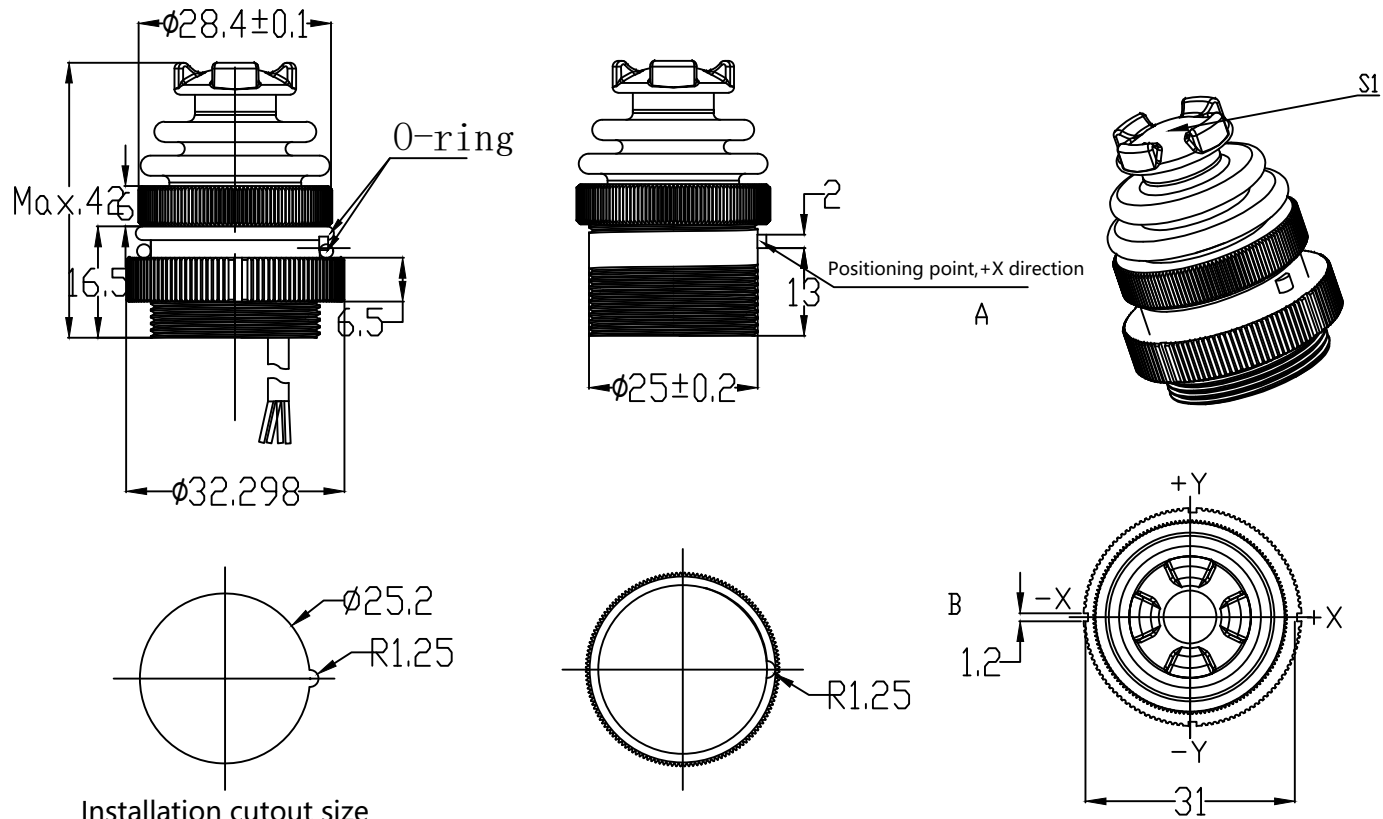


16	17	18	19	20
记号:	变更原因	签	认	日期
A1				
A2				



Installation cutout size

This product is made of high-quality industrial grade ABS injection molding, with a non-contact Hall sensor thumb operation design. The material is firm, lightweight, easy to operate, and has advantages such as long service life and good protective performance. Physical signal output is achieved through thumb operation, and a high-quality waterproof button operated by a thumb is embedded at the top for customized functions. The product has specifications with multiple built-in communication outputs

1. Machine specifications
 - 1.1 Main component materials: ABS
 - 1.2 Weight: Mass 25 grams (maximum)
 - 1.3 Operating force: 0 to 3 N, allowable limit operating force: 35 N
 - 1.4 Control range area,(X Y-axis)
From center position in any direction: 18 ± 2 "
- 2 Electrical specifications
 - 2.1 Input voltage: 5VDC, current $\leq 50\text{mA}$;
 - 2.2 Signal output(X,Y axis), voltage: 0-5VDC $\pm 10\%$;
Center position voltage, 2.5VDC $\pm 0.1\text{VDC}$
Maximum output voltage 4.5VDC (minimum), minimum output voltage 0.5VDC (maximum), output signal impedance 1K Ω
 - 2.3 Button switch S1: Self reset, normally open, 100 mA@5VDC:
Waterproof and dustproof level: IP67 (below mounting plate) IP65 (above mounting plate)
- Environmental parameters
 - 4.1 Working temperature: -30°C to +60°C
 - 4.2 Storage temperature: -40°C to +70°C
 - 4.3 Special temperature: can be customized as required.

Model No.:MKF-JS09-V3

Mate Technology Shenzhen Limited www.matend.com					
绘图:	1	20240115	Scale:	1:1	View:
设计:	1	2	Stage	Unit:	mm
审核:	1	2			
批准:	1	2			Page 1 of 1