

MKF-JS01

Mate mouse, Three-axis Hall joystick, with 8 buttons



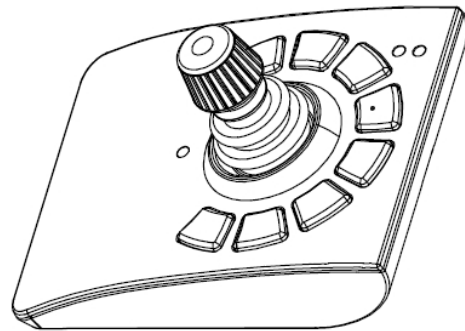
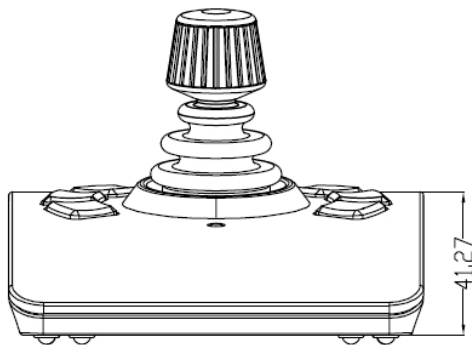
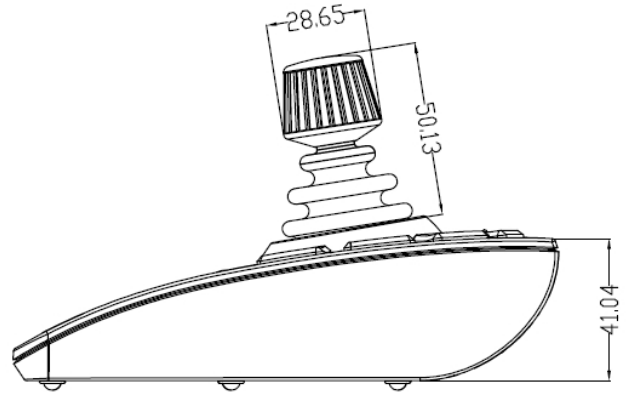
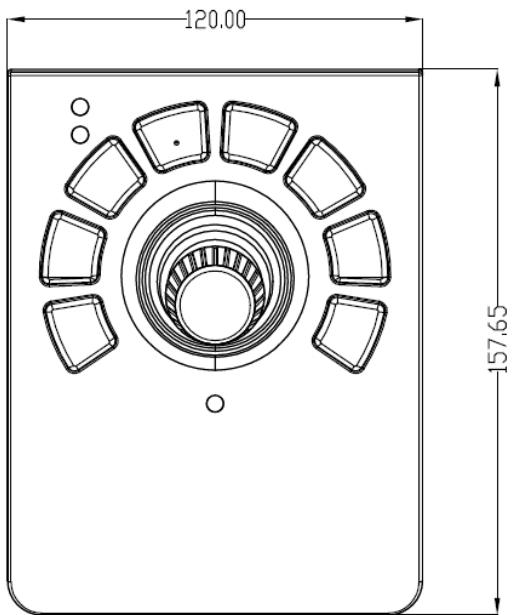
FEATURES

- 3 axes hall sensor, long life style
- Mini desktop keyboard design
- Easy operation
- RS485 and RS232 communication interface, baud rate 2400, PELCO-D protocol, address 1-8(optional)

SPECIFICATION

Button	8 buttons, 5 million operations
Indicator Light	3 LEDs
Interface Mode	RS485, RS232
Communication Protocol	PELCO-D, PELCO-P, VISCA, CISCO
Baud rate	2400
Number of preset bit	Set or 1-8 preset bit
PTZ function	Omnibearing console control, 64 level speed, zoom, focus, aperture
Menu control	Available
Wiper control	Available
Power supply	DC12V
Size	(W)120X(L)157X(H)97

DRAWING



Method of operation:

1. Call preset function

- 1-8 buttons for preset
- Method of operation: Press button then release

2. Set preset function

- 1-8 buttons for preset
- Method of operation: Holding button over 3 seconds, indicator light quick flashing, then release the button.

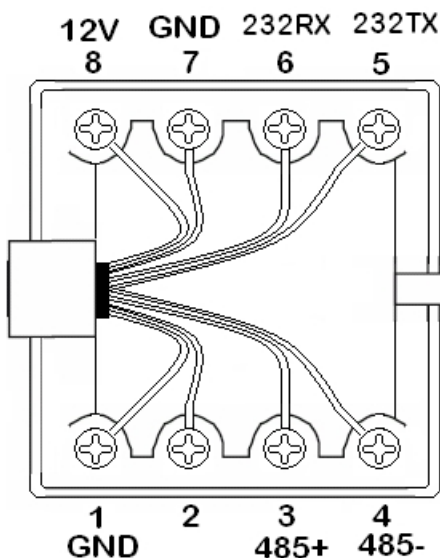
3. Camera address selection

- 1-8 buttons for camera address
- Method of operation:
Holding button over 7 seconds, (3rd seconds the indicator light quick flashing, when slowly flashing on the 7th second, then release the button)

4. Other setup

- Press and hold the following button before power on, and then power on again.
- Press and hold 1+2, baud rate 2400
- Press and hold 7+8, baud rate 9600
- Press and hold 1+3, PELCO-D
- Press and hold 1+4, PELCO-P
- Press and hold 1+5, VISCA
- Press and hold 1+6, CISCO

5. RJ45 Junction box definition



* Technical data is subject to change without any notice.

MATE TECHNOLOGY SHENZHEN LIMITED

info@matend.com | www.matend.com | www.matend.cn