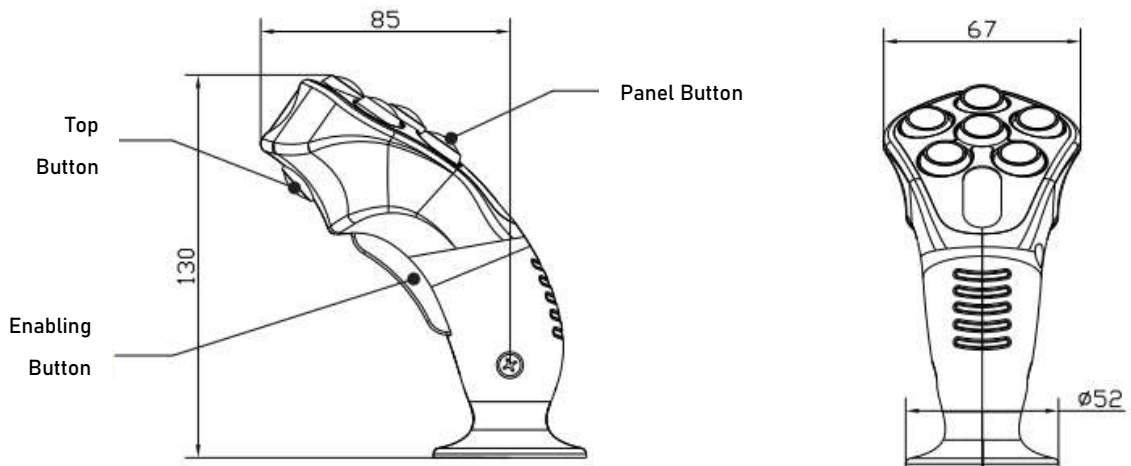


## MSS Serie Handle

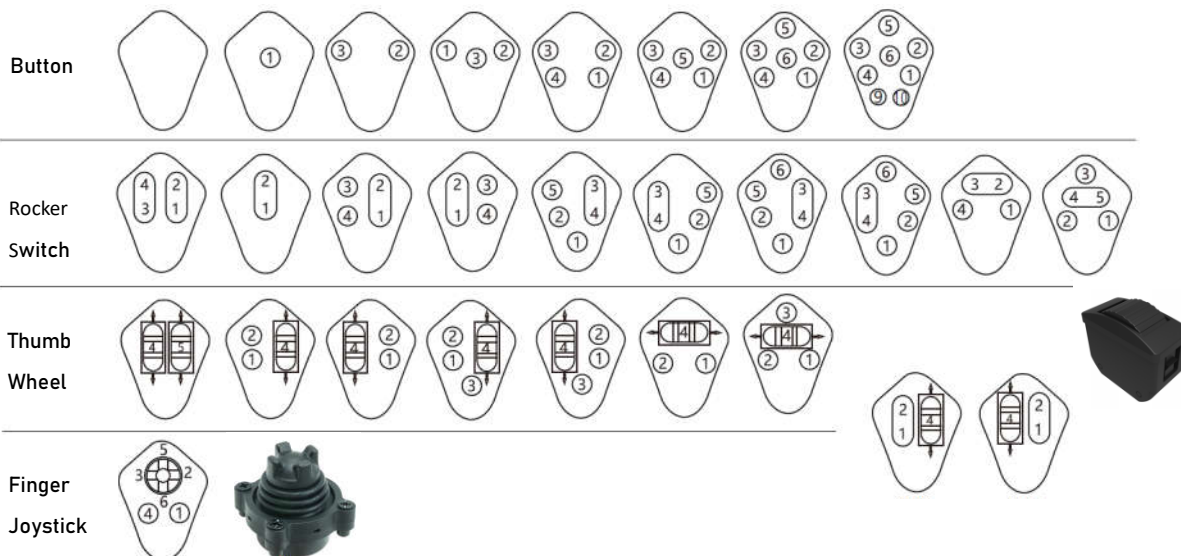


Material	Nylon
Application	Lifting machinery, construction machinery, agricultural and forestry machinery, mining machinery, Pilot valve operating mechanism
Cable	0.5mm <sup>2</sup> number wire 0.2mm <sup>2</sup> high temperature color wire is optional
Internal thread	M12
Operating Temperature	-30°C ~ +70°C
Storage Temperature	-40°C ~ +85°C
Protection level	IP65 (Above the flange)

### MECHANICAL DRAWING



### PANEL LAYOUT

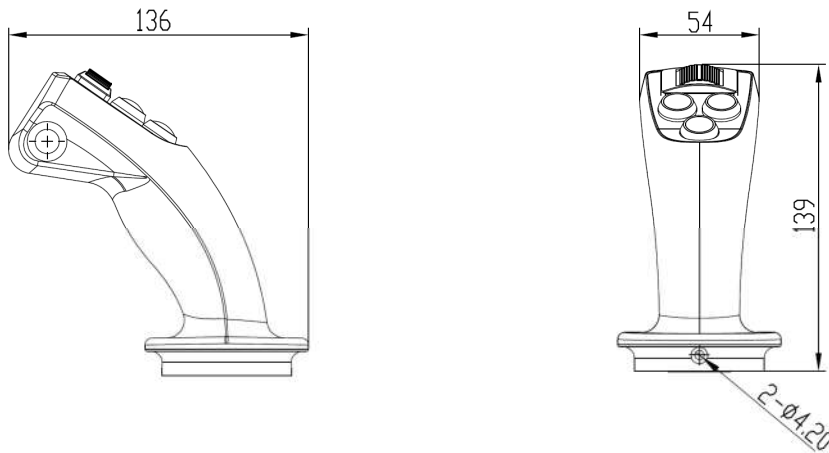


# MSP Serie Handle

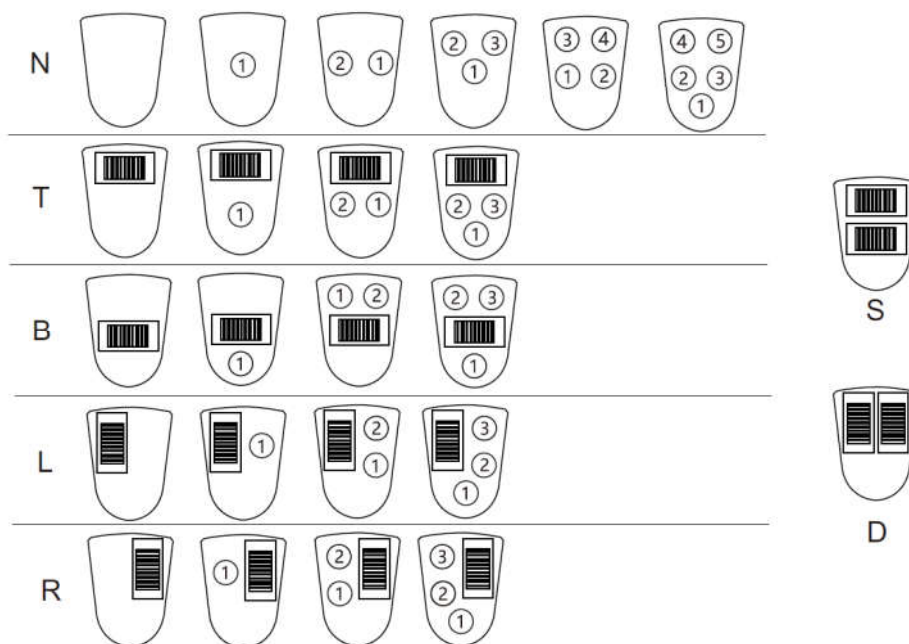


Material	PP
Application	Lifting machinery, construction machinery, agricultural and forestry machinery, mining machinery, Pilot valve operating mechanism
Cable	0.5mm <sup>2</sup> number wire 0.2mm <sup>2</sup> high temperature color wire is optional
Internal thread	M8
Operating Temperature	-30°C ~ +70°C
Storage Temperature	-40°C ~ +85°C
Protection level	IP65 (Above the flange)

## MECHANICAL DRAWING



## PANEL LAYOUT

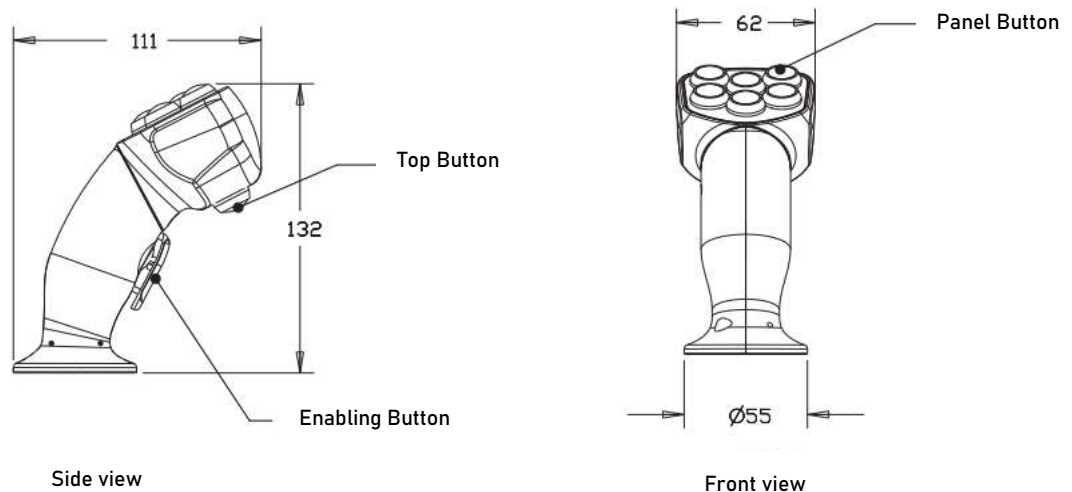


## MSA Serie Handle

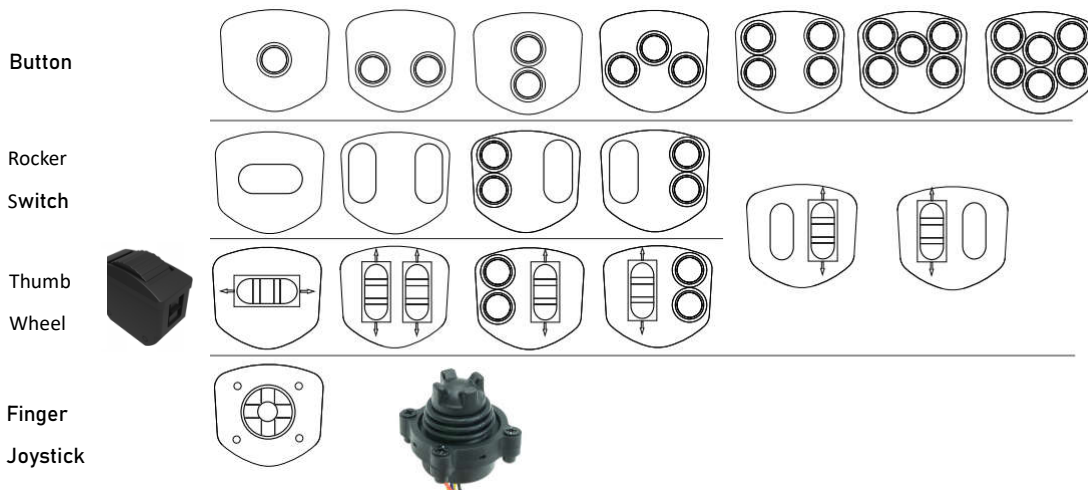


Material	Nylon
Application	Lifting machinery, construction machinery, agricultural and forestry machinery, mining machinery, Pilot valve operating mechanism
Cable	0.5mm <sup>2</sup> number wire 0.2mm <sup>2</sup> high temperature color wire is optional
Internal thread	Can be customized
Operating Temperature	-30°C ~ +70°C
Storage Temperature	-40°C ~ +85°C
Protection level	IP65 (Above the flange)

### MECHANICAL DRAWING



### PANEL LAYOUT

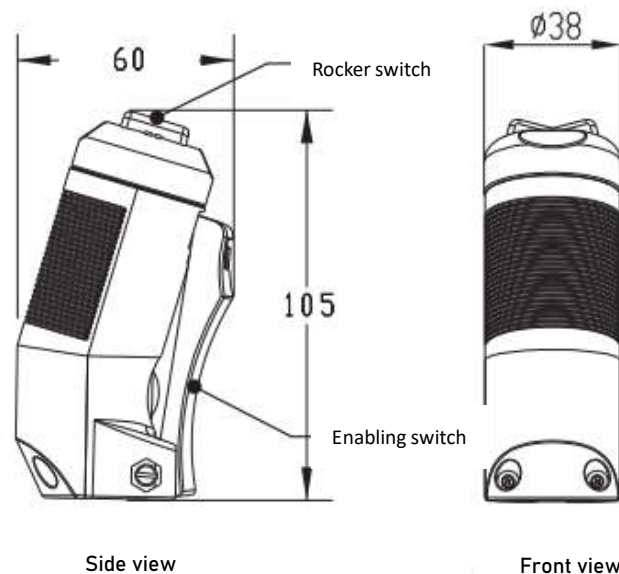


## MKG Serie Handle



Material	Nylon
Application	Lifting machinery, construction machinery, agricultural and forestry machinery, mining machinery, Pilot valve operating mechanism
Cable	0.5mm <sup>2</sup> number wire 0.2mm <sup>2</sup> high temperature color wire is optional
Internal thread	Can be customized
Operating Temperature	-30°C ~ +70°C
Storage Temperature	-40°C ~ +85°C
Protection level	IP65 (Above the flange)

### MECHANICAL DRAWING

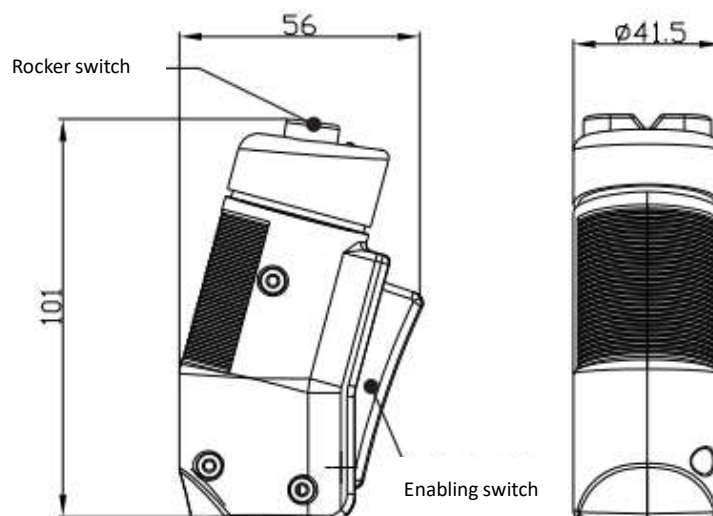


## MKM Serie Handle



Material	Nylon
Application	Lifting machinery, construction machinery, agricultural and forestry machinery, mining machinery, Pilot valve operating mechanism
Cable	0.5mm <sup>2</sup> number wire 0.2mm <sup>2</sup> high temperature color wire is optional
Internal thread	Can be customized
Operating Temperature	-30°C ~ +70°C
Storage Temperature	-40°C ~ +85°C
Protection level	IP65 (Above the flange)

### MECHANICAL DRAWING

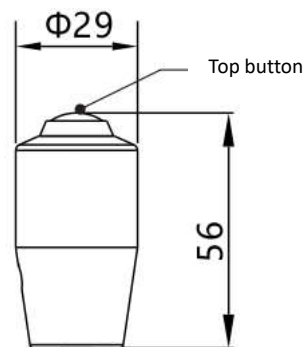


## MHA Serie Handle

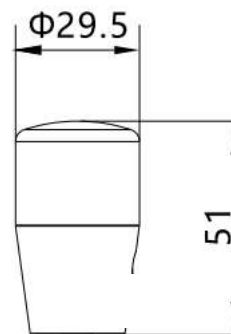


Material	POM
Application	Suitable for MKF-PJS02, MKF-PJS04
Cable	0.5mm <sup>2</sup> number wire 0.2mm <sup>2</sup> high temperature color wire is optional
Internal thread	M8
Operating Temperature	-30°C~+70°C
Storage Temperature	-40°C~+85°C
Protection level	IP65 (Above the flange)

### MECHANICAL DRAWING



MHAS



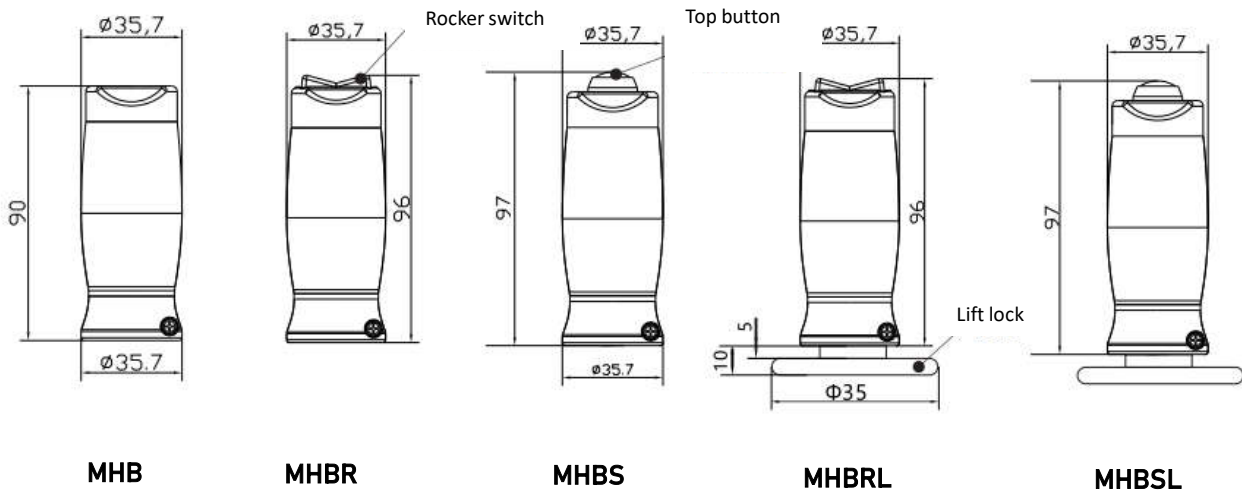
MHA

## MHB Serie Handle



Material	Nylon
Application	Suitable for MKF-PJS01, MKF-PJS02, MKF-PJS04
Cable	0.5mm <sup>2</sup> number wire 0.2mm <sup>2</sup> high temperature color wire is optional
Internal thread	M8
Operating Temperature	-30°C ~ +70°C
Storage Temperature	-40°C ~ +85°C
Protection level	IP65 (Above the flange)

### MECHANICAL DRAWING



## MHD Serie Handle



Material	Nylon
Application	Suitable for MKF-PJS01, MKF-PJS02, MKF-PJS04
Cable	0.5mm <sup>2</sup> number wire 0.2mm <sup>2</sup> high temperature color wire is optional
Internal thread	M8
Operating Temperature	-30°C ~ +70°C
Storage Temperature	-40°C ~ +85°C
Protection level	IP65 (Above the flange)

### MECHANICAL DRAWING

