

## MKF-25B

Mate mouse, Trackball module, 25.0mm, Optical trackball, Removable



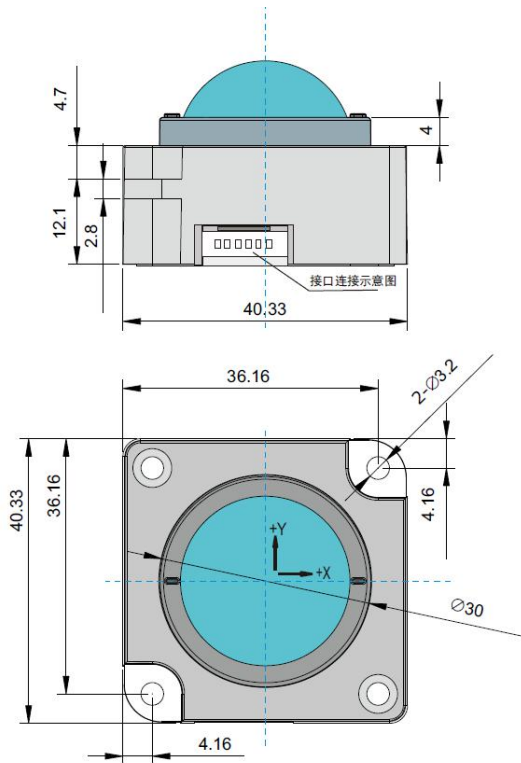
### FEATURES

- 25.0mm diameter mini optical trackball
- IP65 liquid/chemical resistance, dust proof
- Smooth and accurate cursor motion
- Ball can be taken out for easy clean
- Compact and mini size, save space over an extra mouse
- Suitable for Medical/Military/Commercial equipment
- USB/PS2 interface

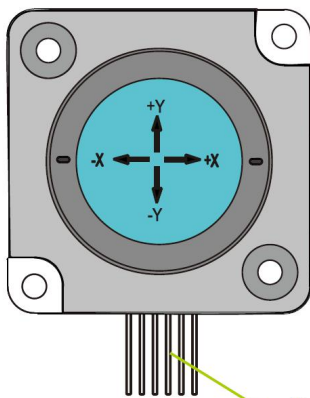
### SPECIFICATION

Ball	Epoxy Resin, 25mm
Ball Rotation	Any direction
Power Supply	5v DC +/-5%
Current	< 30mA
Resolution	100-1000 cpi
Tracking Force	0.196N (20gf) max
Accelerated speed	20 grams
Interface	PS2 or USB
EMC Standard	EN 55032:2015 , EN 55035:2017
Temperature Range	Operating: -20°C to +55°C, Storage: -30°C to +60°C
Lifespan	>2000000 cycles
Warranty	1 year
Certification	CE/FCC/ RoHS/IP65

DRAWING



Pin assignment	
NO.	Description
1	DATA
2	CLOCK
3	+5V
4	GND
5	LEFT-SW
6	RIGHT-SW



连接线 Connector

旋盖 Ring



球 Ball



主体 Main body

