

MKF-JS93

Mate Industrial Joystick, Hall effect, Dual axis, Panel Mounted



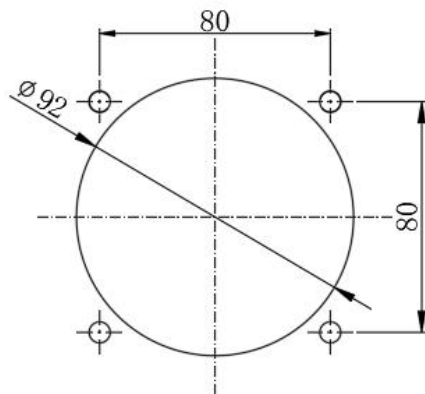
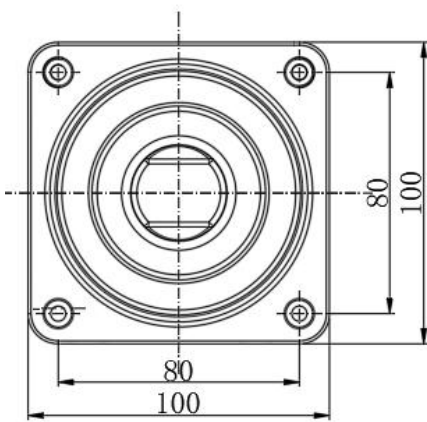
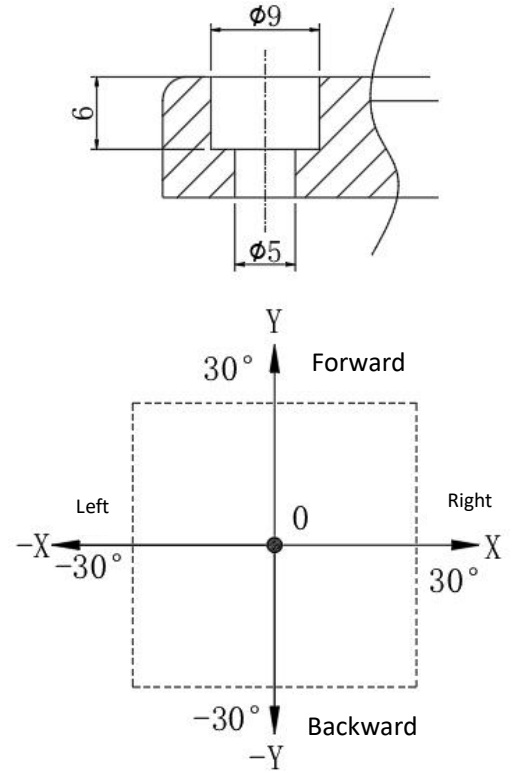
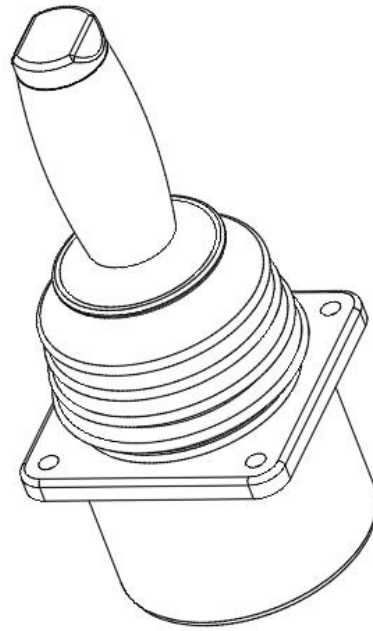
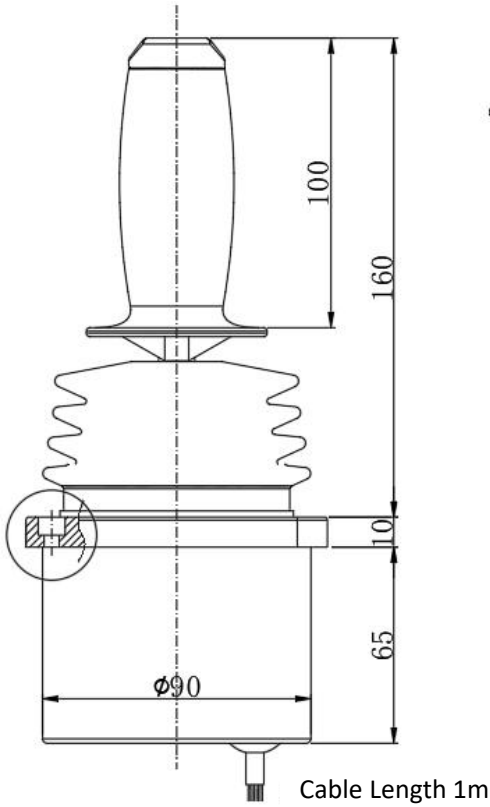
FEATURES

MKF-JS96 is a two-axis multi-function joystick, push the handle in any direction (front, rear Y, right, left X), friction positioning. The joystick base is made of aviation aluminum alloy material, and the handle material is made of engineering plastic, which is sturdy and reliable. The degree of protection can reach IP65, and the analog output is available. It is suitable for military equipment, construction machinery and other equipment.

SPECIFICATION

Main material of the base	Aluminum alloy, stainless steel, etc.
Main material of handle	Engineering plastic (black)
Operating angle in any direction	±30°
Operating strength	5N - 15N
Reset method	Friction Positioning
Sensor	Hall sensor, linearity: less than 1%
Input voltage	(5±0.1)V DC
Signal output	(0±0.1) V DC ~ (2.5±0.1) V DC ~ (5±0.1) V DC
Mechanical life	1 million times
Wiring definition	Check the wiring definition diagram for details
Installation size	80x80, 4xØ5
Weight	About 1KG
Protection level	IP65
Working Temperature	-20°C - +60°C
Storage Temperature	-30°C - +70°C
Working Humidity	93±3%RH

TECHNICAL DRAWINGS



Panel Cut out

- 1 ——— VCC
- 2 ——— GND
- 3 ——— X OUT
- 4 ——— Y OUT

Electrical Connections