

MKF-JS95

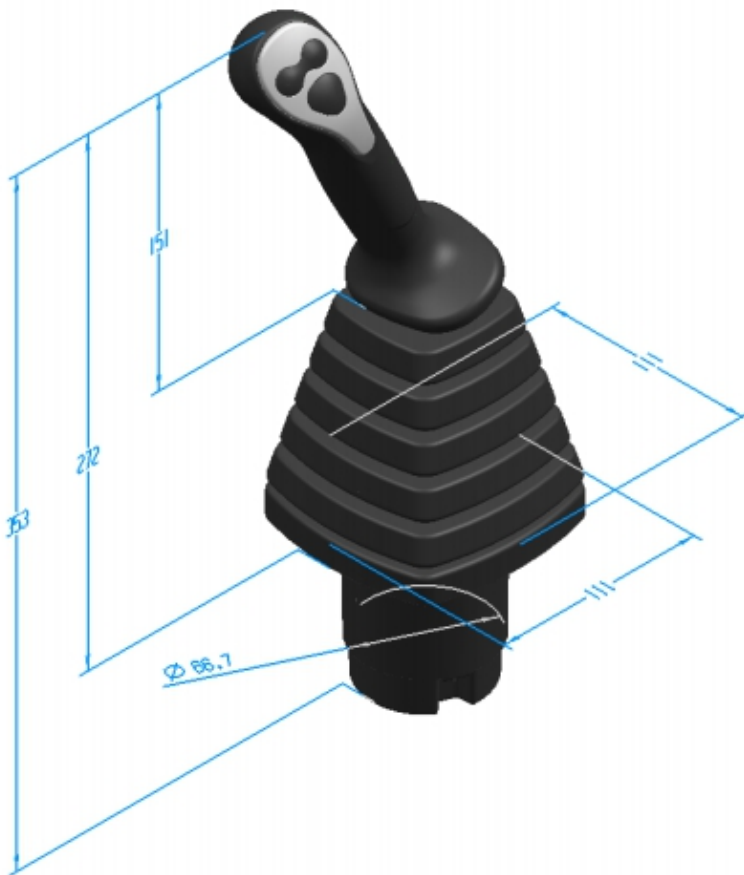
Mate Industrial Joystick, Hall effect, 3-axis, Panel Mounted

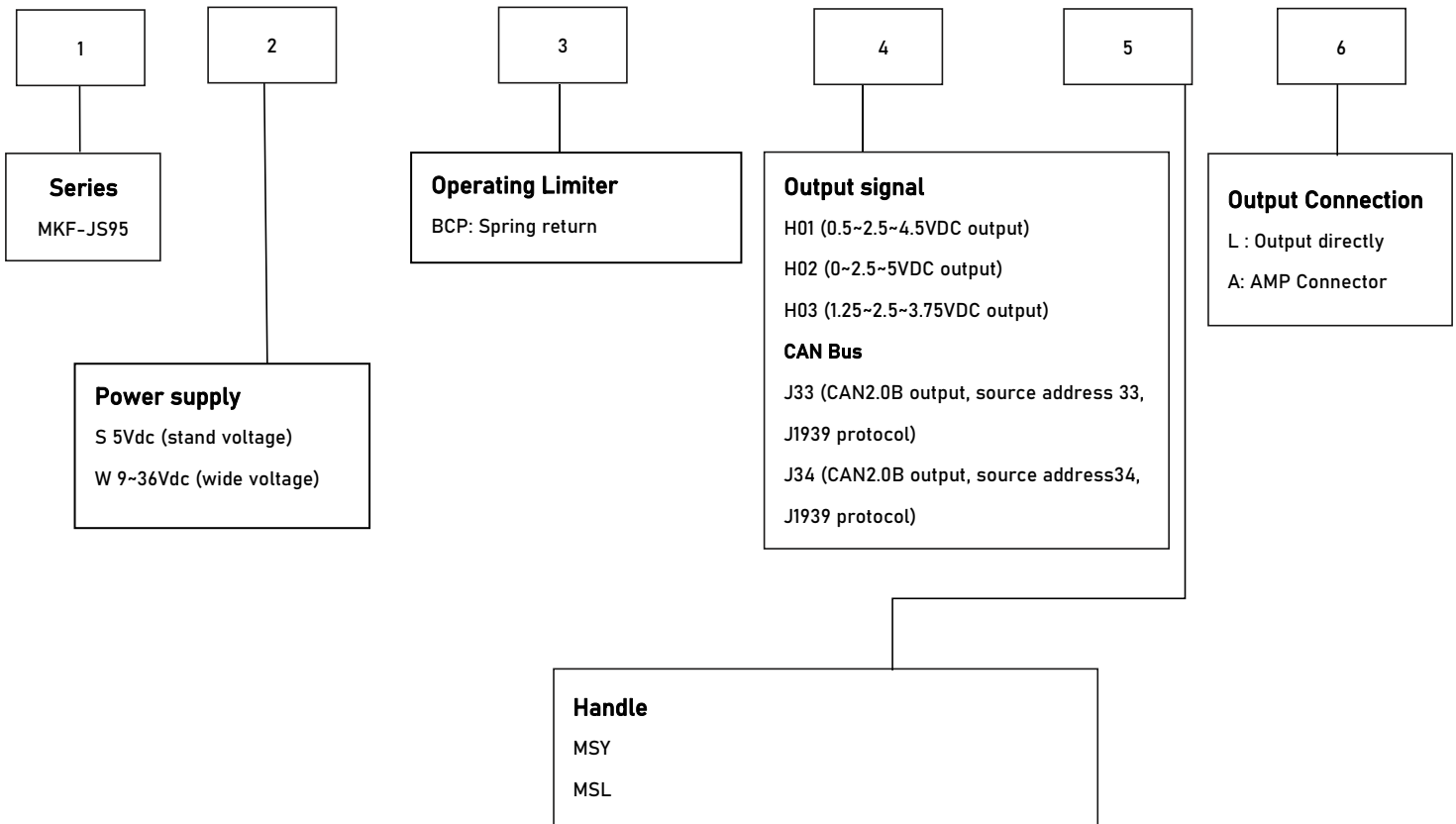


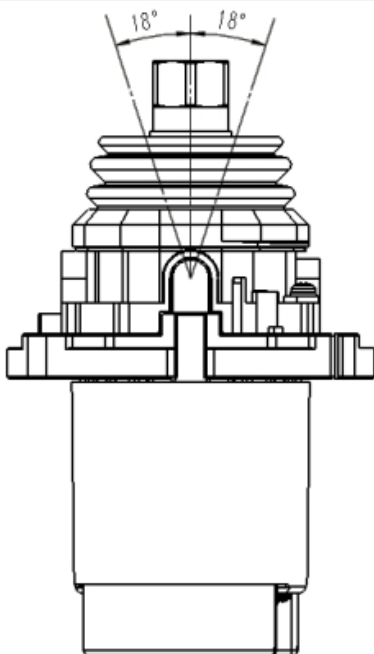
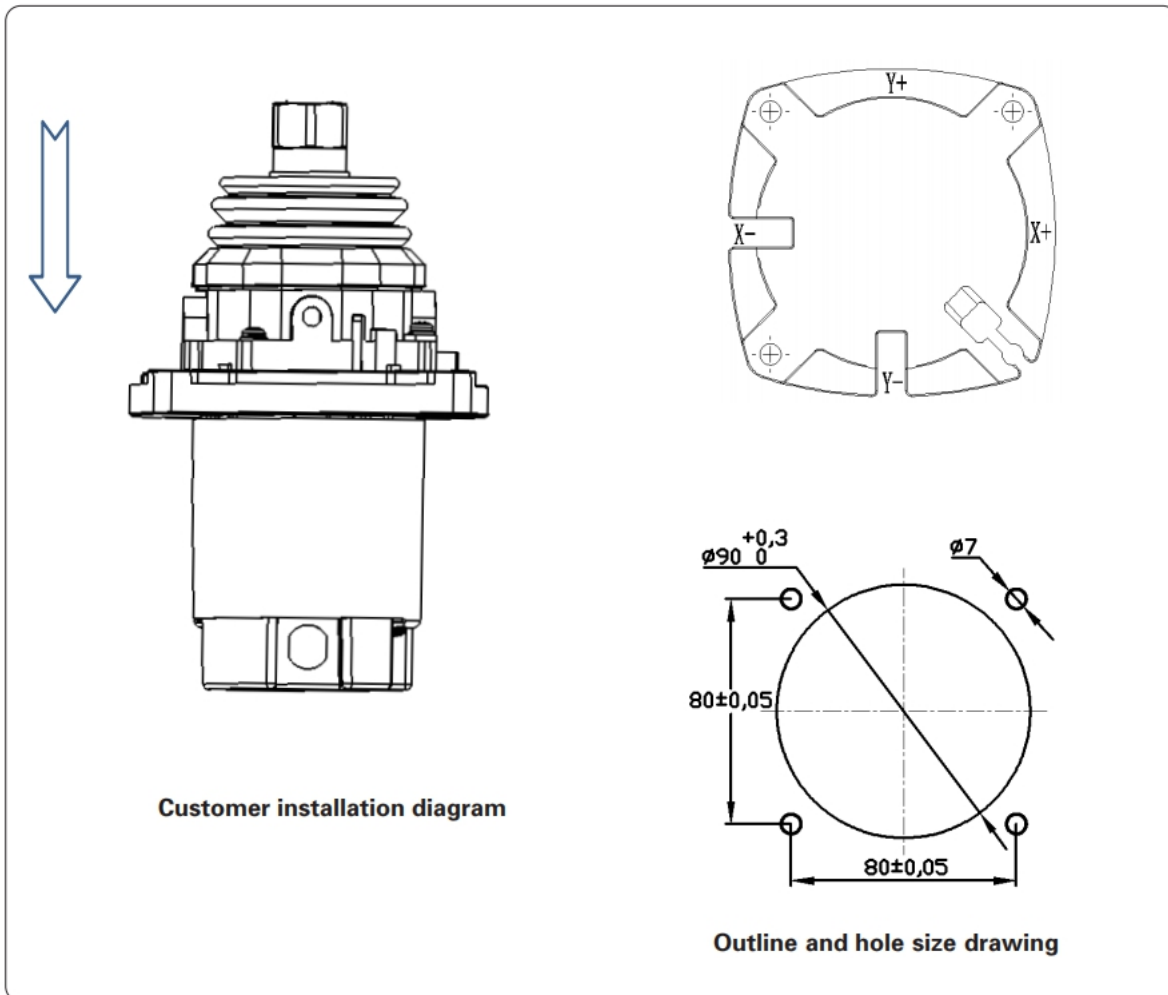
- Heavy-duty industrial handle, supporting excavation machinery and equipment
- Non-contact Hall sensor detection method
- Spring return operation
- There are many different types of handle tops for optional
- Optional CAN bus output

This series of products are mainly used in cranes, loaders, forklifts, excavators, harvesters, etc.

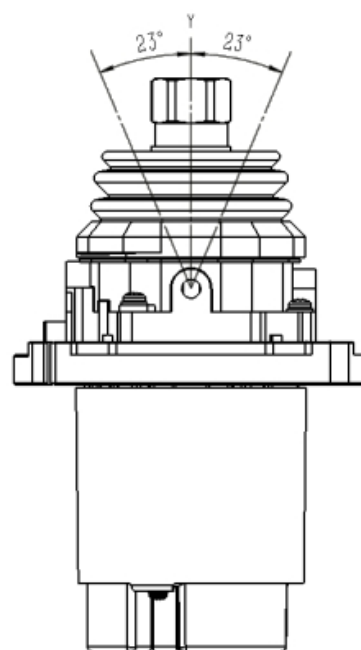
Voltage	5±0.5Vdc
Current	< 11mA (each Hall sensor)
Limit allowable overvoltage	20Vdc
Output voltage linearity error	±0.2Vdc
Reverse limit allowable voltage	-10Vdc
CAN BUS	
Voltage	9-36Vdc
CAN Version	CAN2.0B
Protocol	J1939
Connector	According to customer
Travel angle	Front-back: ±23°, Left-right: ±18°
Operation type	Spring return
Breakout force	4N
Operating force (max)	11N
Maximum allowable force	>300N
Expecting life	>2 million cycles
Operation Temperature	-30°C to +70°C
Storage Temperature	-40°C to +85°C
Protection Level	IP65(above the flange)







Pan angle left and right



Swing angle back and forth

Electrical Connections

CAN Bus Output

Pin	Outlet definition
1	Power 9-36Vdc
2	Voltage 0V
3	CAN High
4	CAN Low
5	CAN Shield
6	N/A

Hall Sensor Output Definition

Color	Features
Red	5Vdc Power input
Black	GND
Yellow	Front and rear direction Hall output
White	Left and right direction Hall output

MSY



MSL

