

MKF-JS66

Mate Industrial Joystick, Hall effect, 3-axis, Panel Mounted



DESCRIPTION

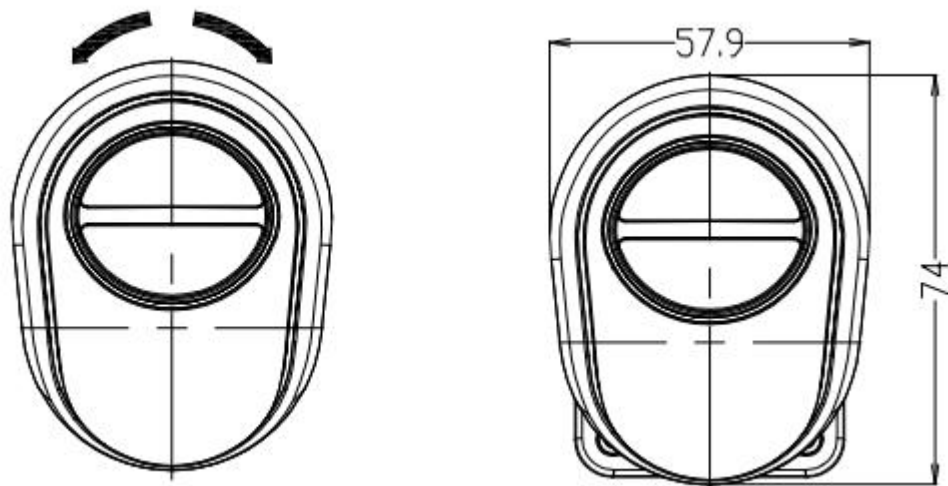
MKF-JS66 is a 3 axis contact-less joystick controller, designed for precision hand control applications where safety and long trouble-free life are primary requirements. It is available in one, two or three axis configurations and can accommodate a choice of handles, including push-button switch versions. Two mounting flange options allow attachment above or below the panel. Compact size, low operational force and high reliability are ideal for applications which include powered wheelchairs, robotics, UAV, CMM machines, medical and CCTV equipment, professional camera controls and remote controlled chest-packs.

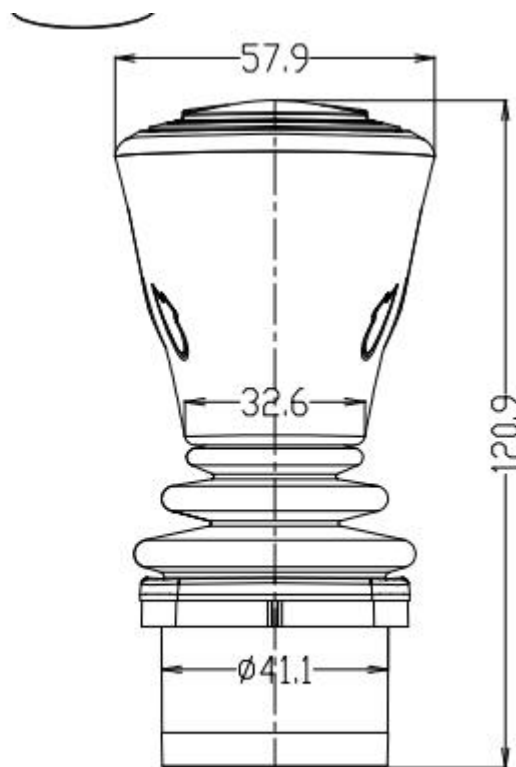
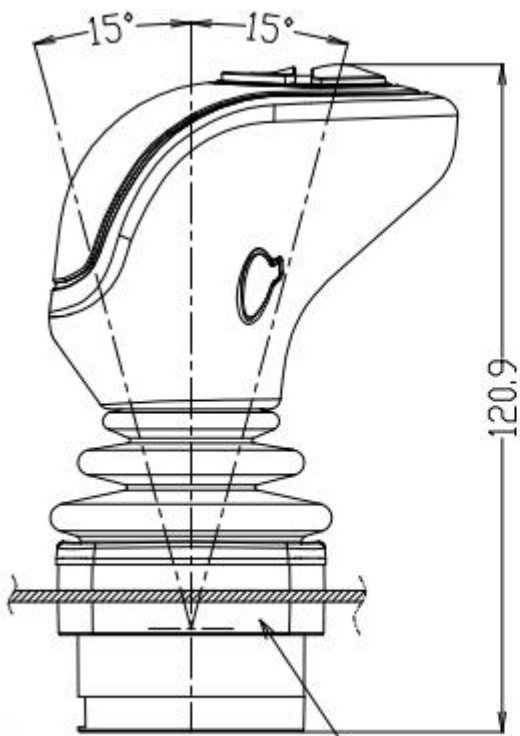
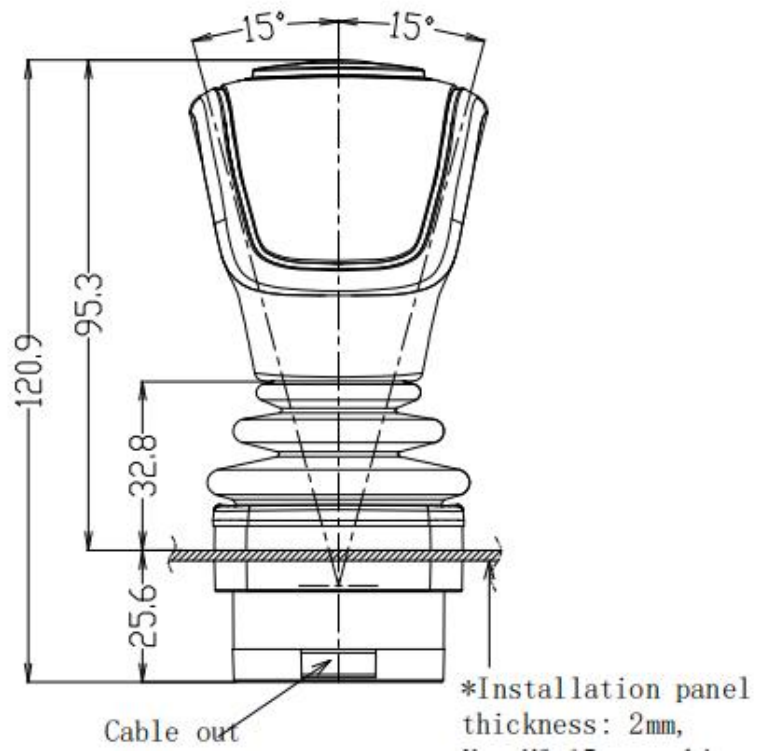
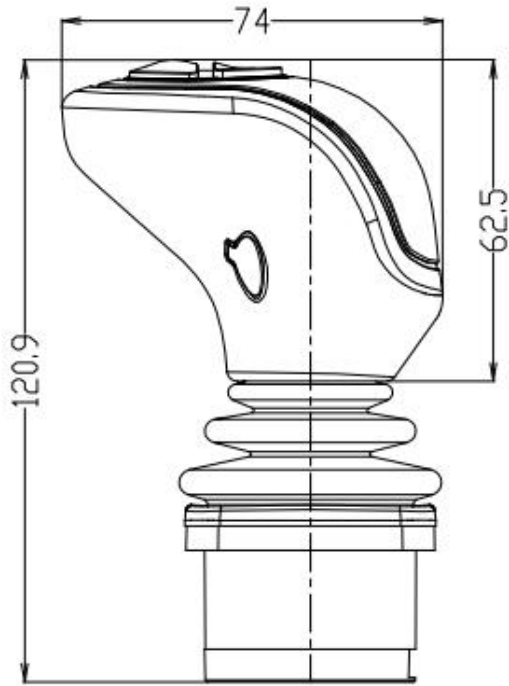
SPECIFICATION

Button	2
Operation Range	square
Operation Angle	XY axis $\pm 15^\circ$; Z axis $\pm 30^\circ$
Power Supply	DC5V
Outputs	0-5v(0.5-4.5 optional), RS232, RS485, USB, CAN(2.0)
Life Span	5 million operating cycles
Material	stainless steel, engineering plastics
Degree of protection	IP65
Operation Temperature	-40°C to +70°C

TECHNICAL DRAWINGS

Axis Z twist
left/right 30°

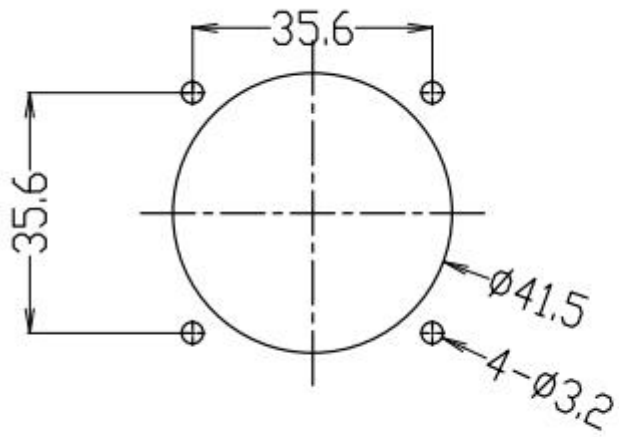




iel

ne screw:

Installation base



Installation cutout size,
From top to rear

