

MKF-JS60

Mate Industrial Joystick, Hall effect, Multi axis, Left / Right hand, Panel Mounted



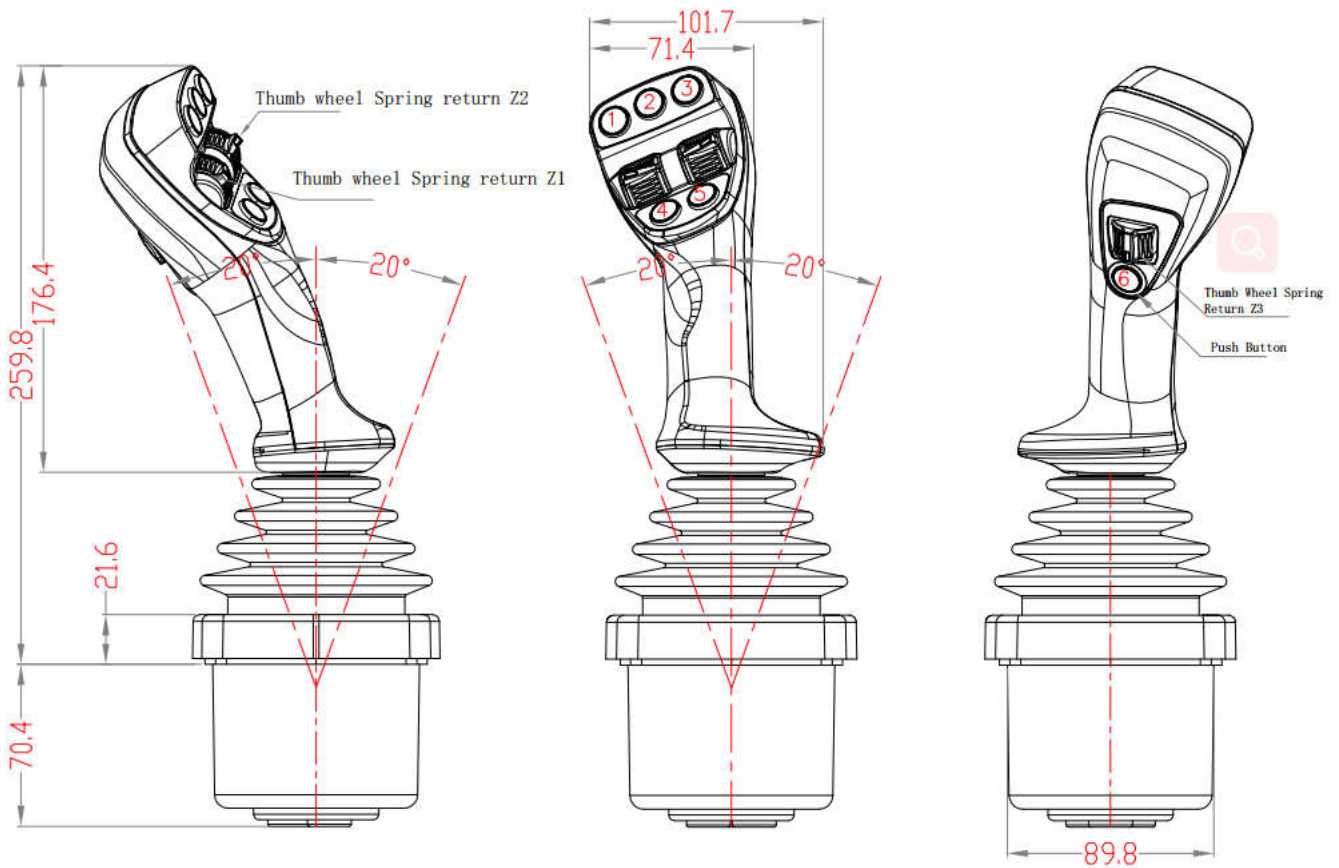
DESCRIPTION

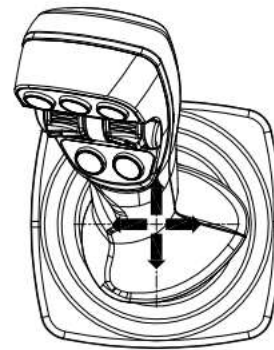
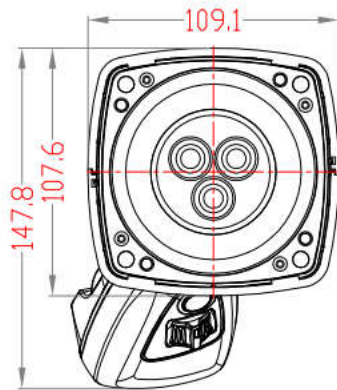
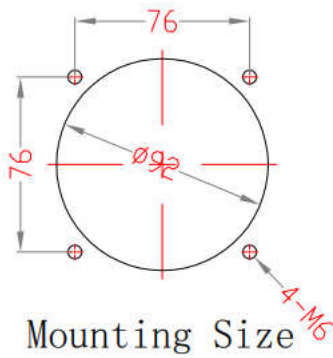
MKF-JS60 is a multi axis Hall-type industrial joystick, instrument panel installation method, stainless steel and aluminum alloy materials, spring automatic return structure, German high-precision Hall-type sensor, full temperature range linear correction, IP67 protection level, smoother operation Feel, ergonomic mechanical design. reliable for long life span usage. This joystick is widely used for controllable equipment: port machinery, crane, aerial work vehicle, grader, engineering equipment armrest box, electronically controlled cab, etc.

SPECIFICATION

Button	6 MOM-OFF push buttons, customizable
Axis	5-axis with thumb wheel signal
Positioning	Spring return automatically
Operation range	Straight, cross, square or customized
Operation Angle	$\pm 20^\circ$
Power Supply	9-36V
Signal Output	CAN, customizable
Life Span	5 million operating cycles
Material	Aluminium alloy, stainless steel, engineering plastic
Degree of protection	IP67
Operation Temperature	-40°C to $+70^\circ\text{C}$

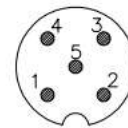
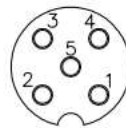
TECHNICAL DRAWINGS



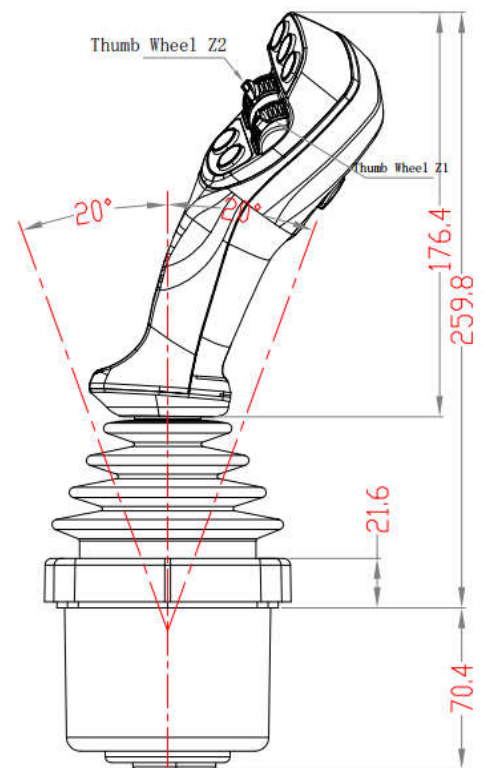
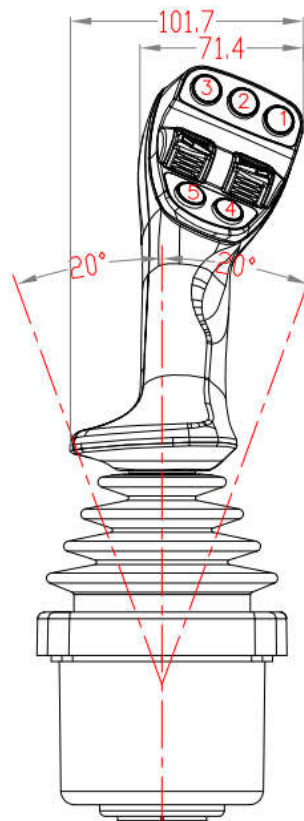
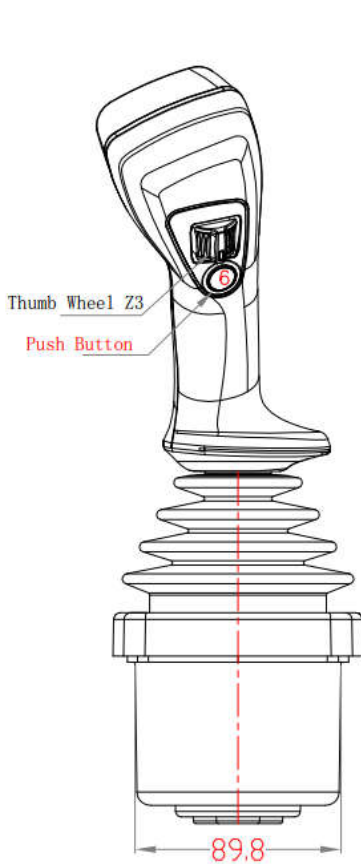


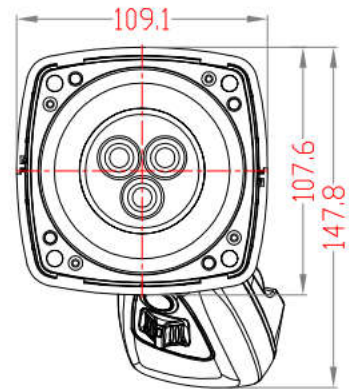
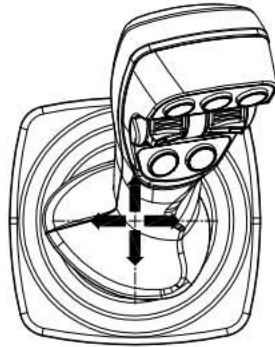
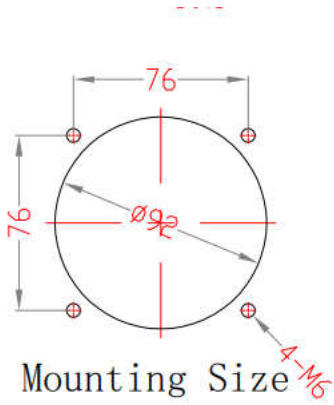
X1 Pin assignment plug
M12"Phoenix" female

X2 Pin assignment plug
M12"Phoenix" Male



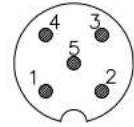
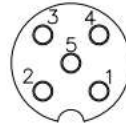
1. Brown (Shielding)
2. White (V+)
3. Blue (V-)
4. Black (CAN-H)
5. Grey (CAN-L)





X1 Pin assignment plug
M12"Phoenix"Female

X2 Pin assignment plug
M12"Phoenix" Male



1. Brown (Shielding)
2. White (V+)
3. Blue (V-)
4. Black (CAN-H)
5. Grey (CAN-L)