

## MKF-JS53 Series

Mate Industrial Joystick, Hall / Potentiometer, Single/Dual Axis, Panel Mounted

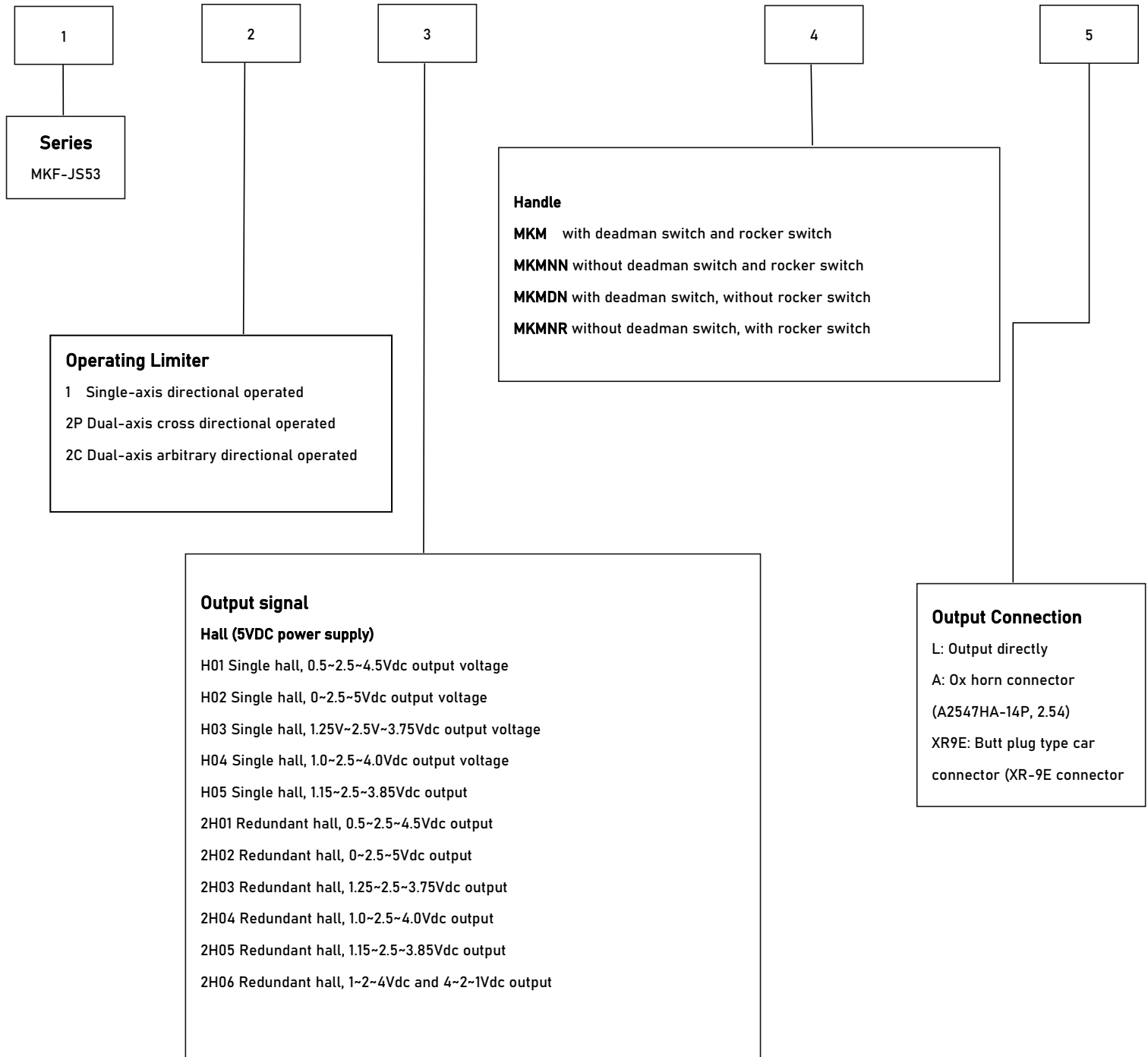


### APPLICATION

Typical application on Cranes, Loaders, Forklifts, excavators, access platform, tractors, harvesters, and so on.

### DESCRIPTION

- Spring return, single-axis or dual-axis operated
- Cross direction or arbitrary direction operated optional
- Hall effect angle detection, long life
- Various output optional



## Electrical Data

Hall	
Power Supply	5±0.5Vdc
Supply Current	<11mA (Single axis), <22mA (Dual-axis)
Maximum Allowable Overload Voltage	20Vdc
Reverse Maximum Allowance Voltage	-10Vdc
Output Linearity Tolerance	<± 0.2V

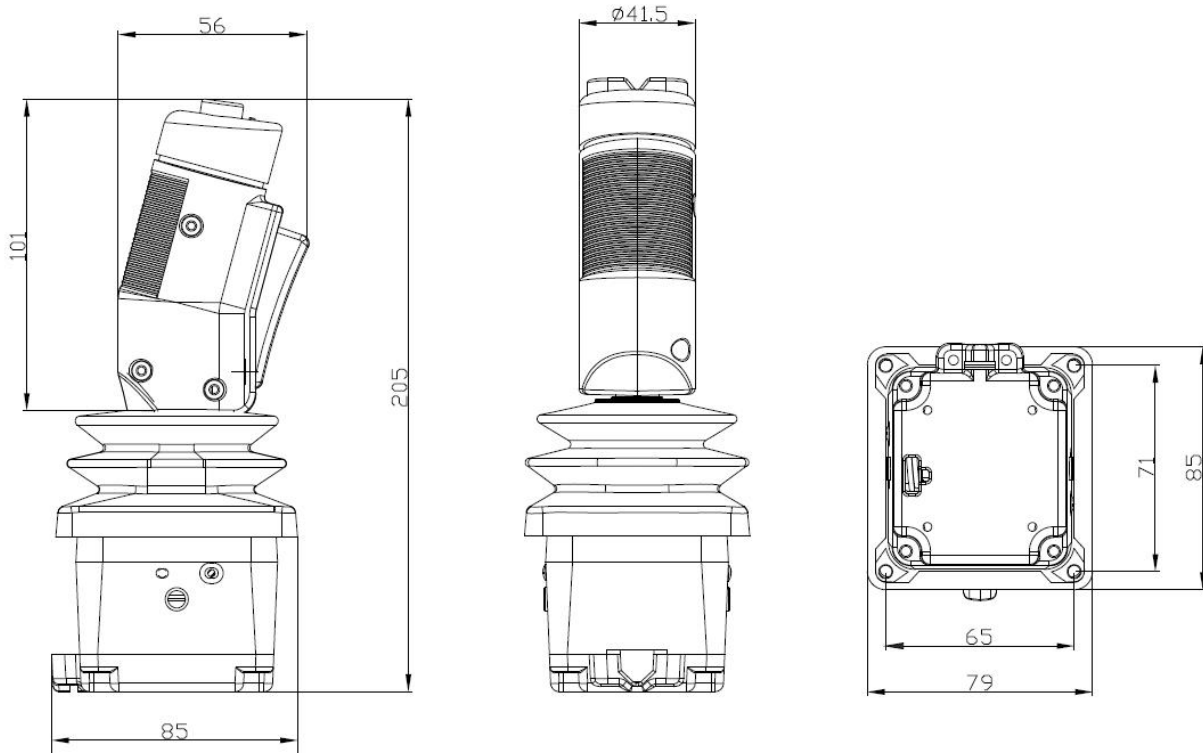
## Environmental Data

Operating Temperature	-30°C ~ +70°C
Storage Temperature	-40°C ~ +85°C
Protection Level	IP65 (Above the Panel)

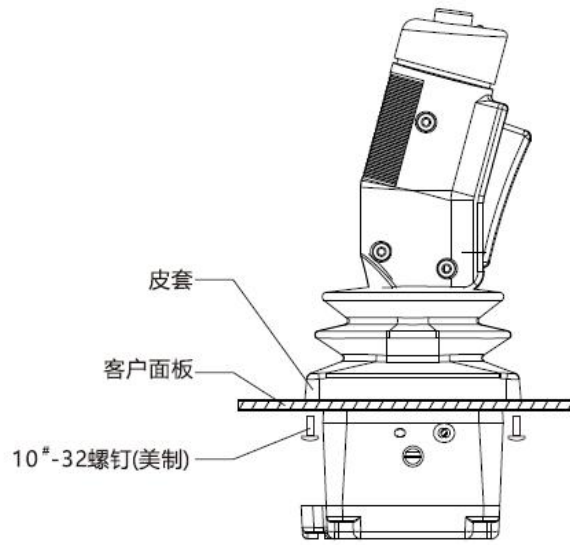
## Mechanical Features

Travel Angle	±20°
Operating Type	Spring return
Breakout Force	9N
Operating Force(max)	20N
Maximum Allowable Force	>300N
Expecting Life	>1 million cycles (Hall effect)
Weight	450g (without handle )

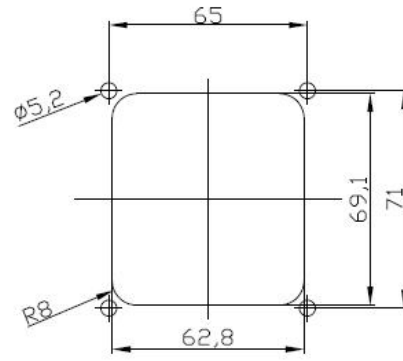
TECHNICAL DRAWINGS



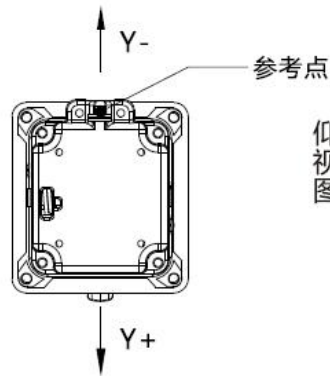
## Product Installation



MOUNTING

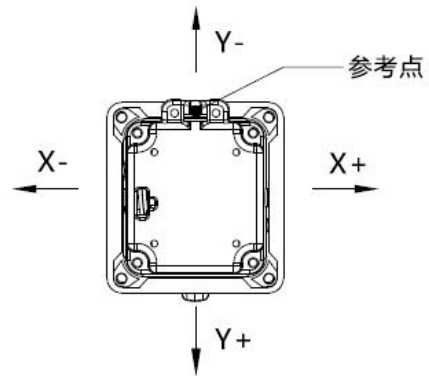


PANEL OPENING



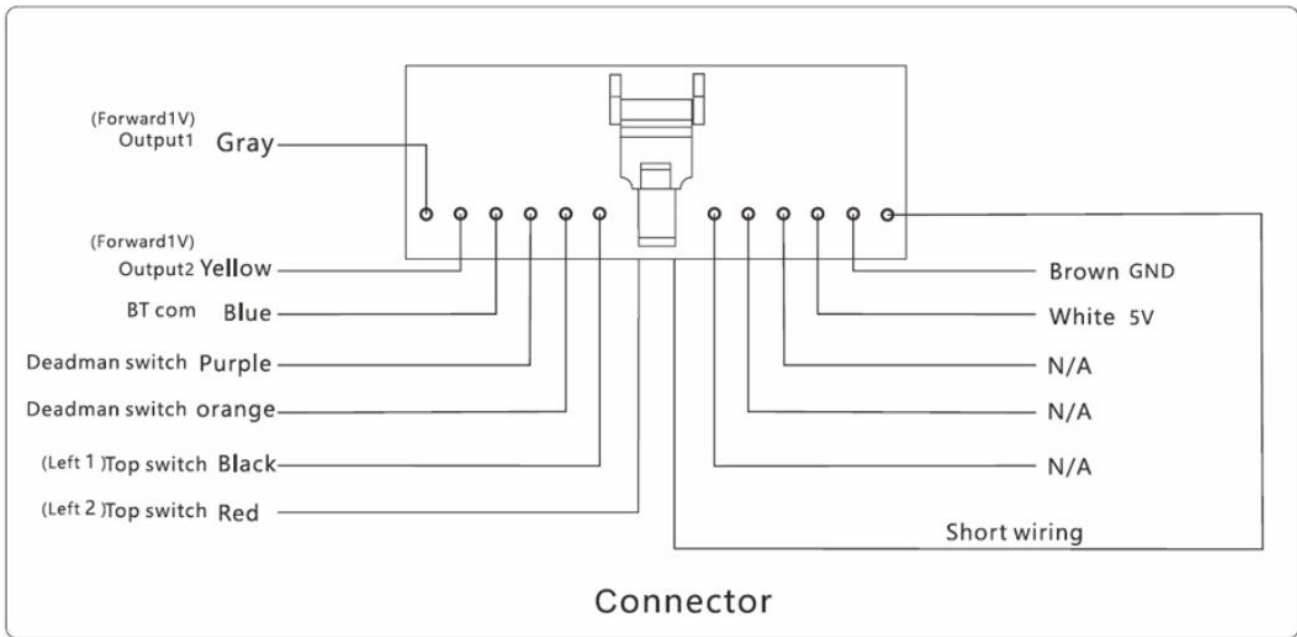
Single-axis operated

仰视图



Dual-axis operated

## Electrical Connector



Color	Function	Color	Function
Redundant hall		Hall effect	
Gray	Y-axis forward directional output +	Gray	Y-axis output
	Y-axis backward directional output-	Pink	X-axis output
Yellow	Y-axis backward directional output+	Blue	Common terminal of button switch
	Y-axis forward directional output -	Purple	Deadman switch
Blue	Common terminal of button switch	Orange	Deadman switch
Purple	Deadman switch	Black	Top switch 1
orange	Deadman switch	Red	Top switch 2
Black	Top switch 1	White	+5Vdc
Red	Top switch 2	Brown	OV
Pink	X-axis forward directional output +		
	X-axis backward directional output-		
Green	X-axis backward directional output+		
	X-axis forward directional output -		
White	+5Vdc		
Brown	OV		