

## MKG-06

Mate Keyboard, Silicone rubber, w/ Touchpad, Wall mounted version  
Aluminum alloy housing with rotary shaft



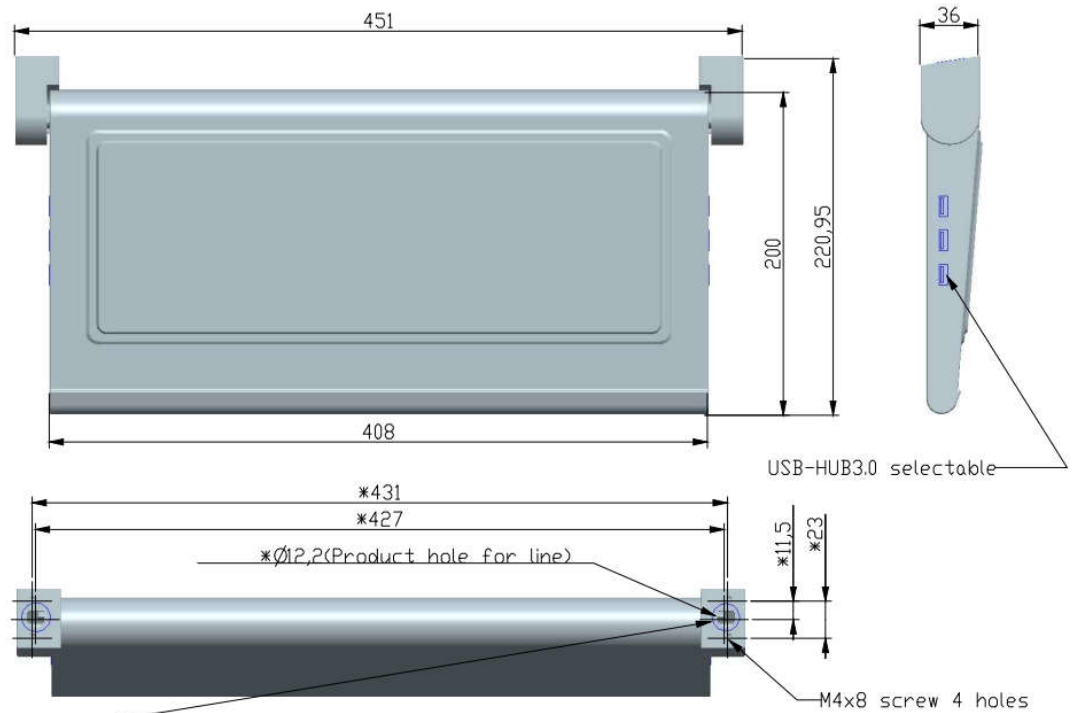
## FEATURES

- Antimicrobial silicone rubber keyboard in compact design
- IP68 waterproof and dustproof, can be cleaned or disinfected
- Keyboard with full functionality touchpad, numeric keypad and FN keys
- Custom layout and logo available
- EMC compliant with EN-60601-1-2
- USB plug-and-play
- With aluminium enclosure for wall mounted version
- With rotary shaft to fix on specific position

## SPECIFICATION

Number of keys for keyboard	105
Key Switch	Carbon switch technology
Switching cycles	2 million actuation
Material	Silicone rubber
Touchpad	Capacitive type, X/Y resolution: >1,000 dots/inch (40 dots /mm)
Interface	PS2 or USB
EMC Standard	EN-60601-1-2
Temperature Range	Operating: -20°C to +60°C, Storage: -30°C to +70°C
Compatibility	All Windows, Linux, Mac
Warranty	1 year
Certification	CE/FCC/ RoHS/IP68
Dimensions	451 x 220.95 x 36 mm (L * W * H)
Weight	2.5kg

MECHANICAL DRAWING



USB head getting through)

Tips: All \*Data for mounting