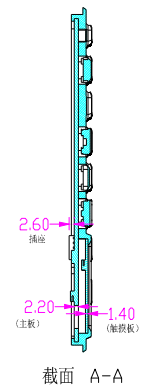
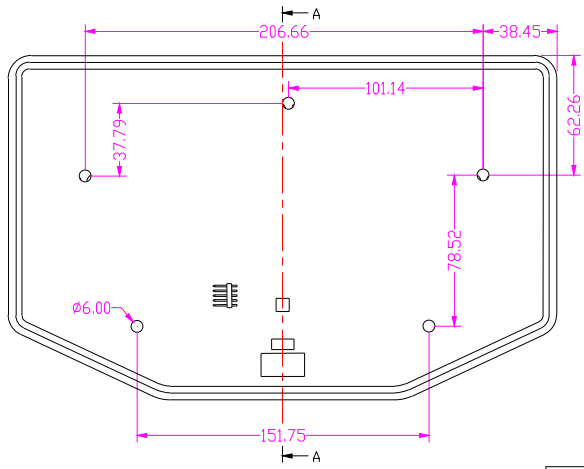
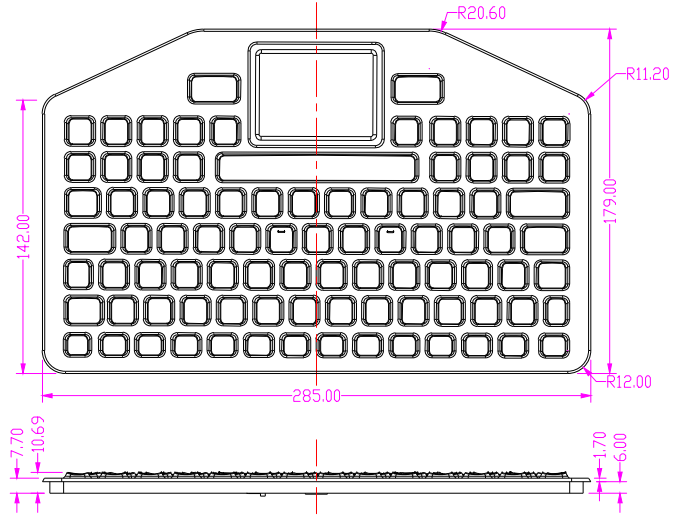


Rev	Change Content	Change By	Date
01			
02			



Product Name		Keyboard		Model No.		MKB-89-PL-IN	
Designed By		Fan youlai		Date		2022.02.16	
Checked By				Date		Rev: 01	
Tolerance:		± 0.10		Drawing Width:		A4	
Unit:		mm		Scale:		1:1	
深圳市米拓实业有限公司 MADE BY PROFESSIONAL MATE TECHNOLOGY SHENZHEN LIMITED						Page: 1 of 1	